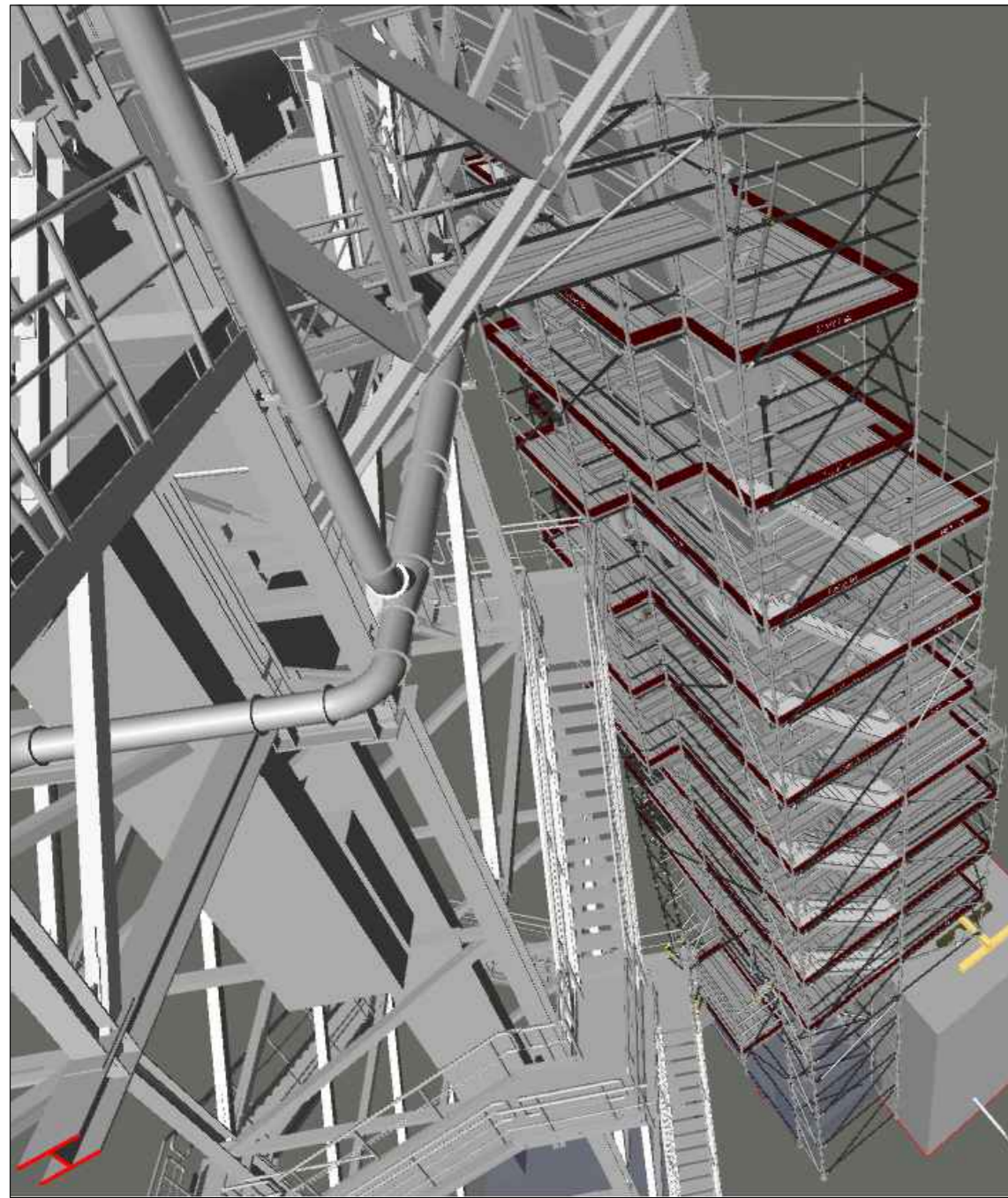


DRAFT PROPOSAL

Vertical transporter - project 1 (part 1)

View 1



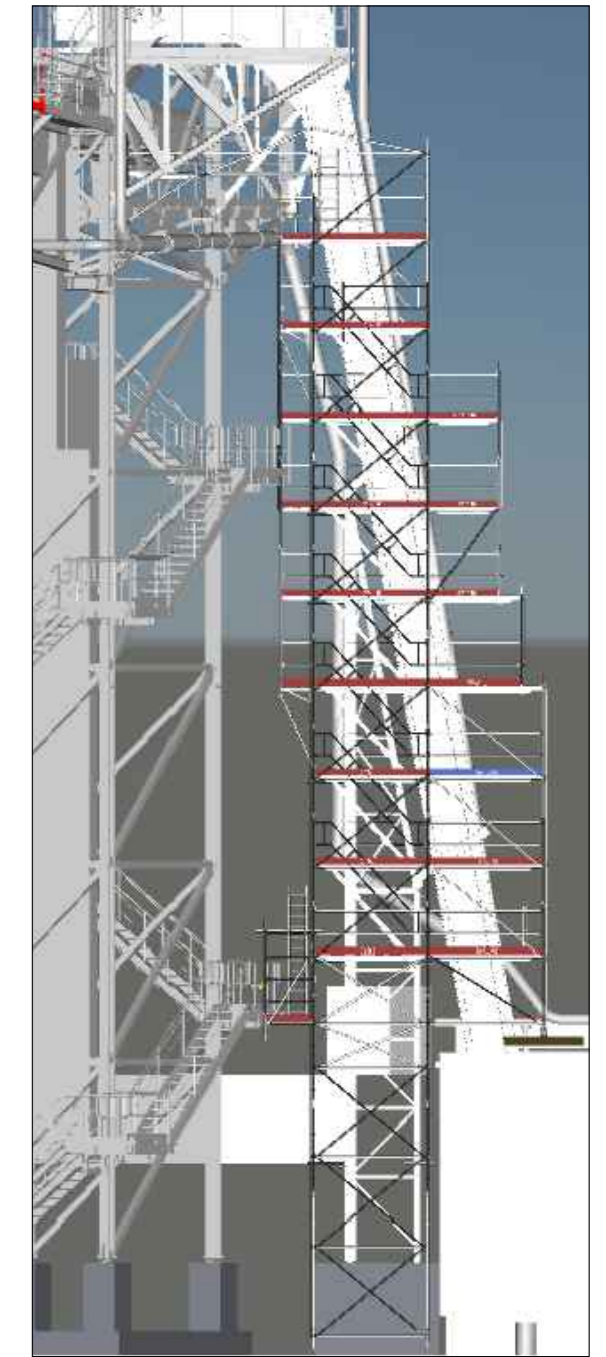
View 2



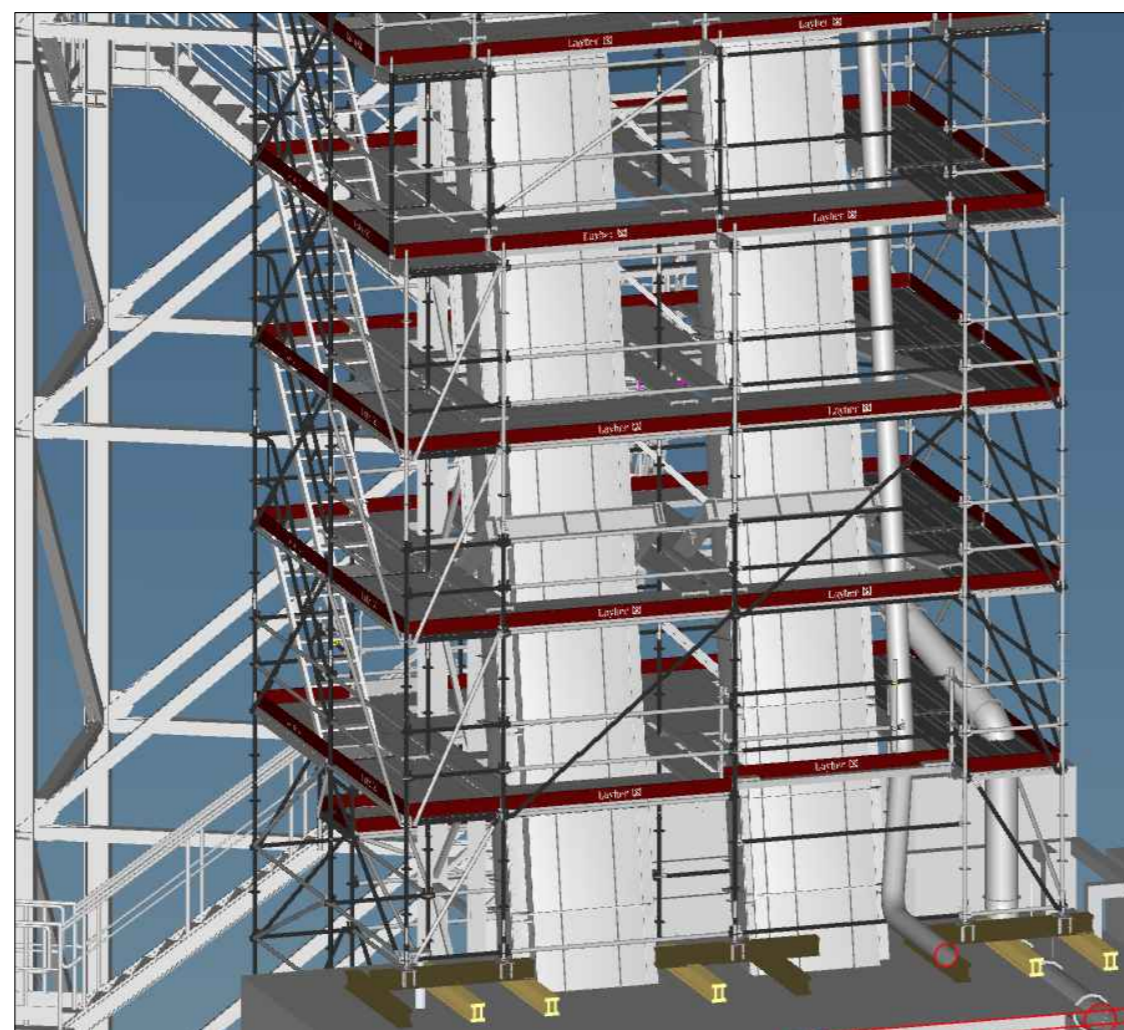
View 3



View 4




View 5



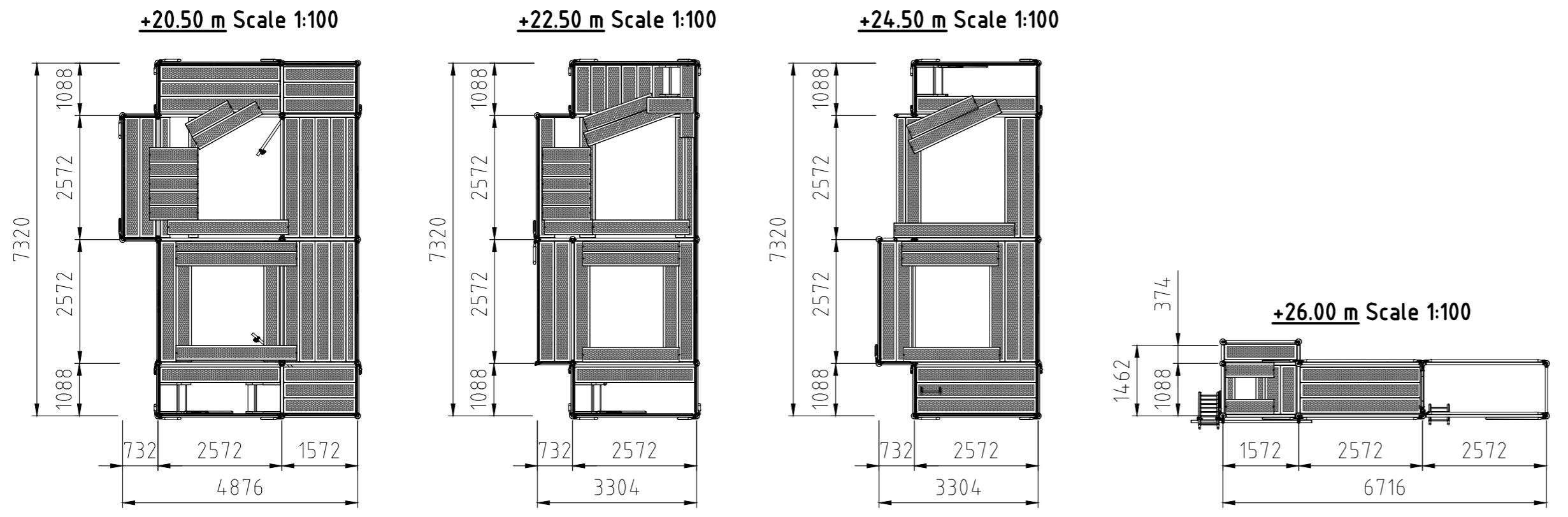
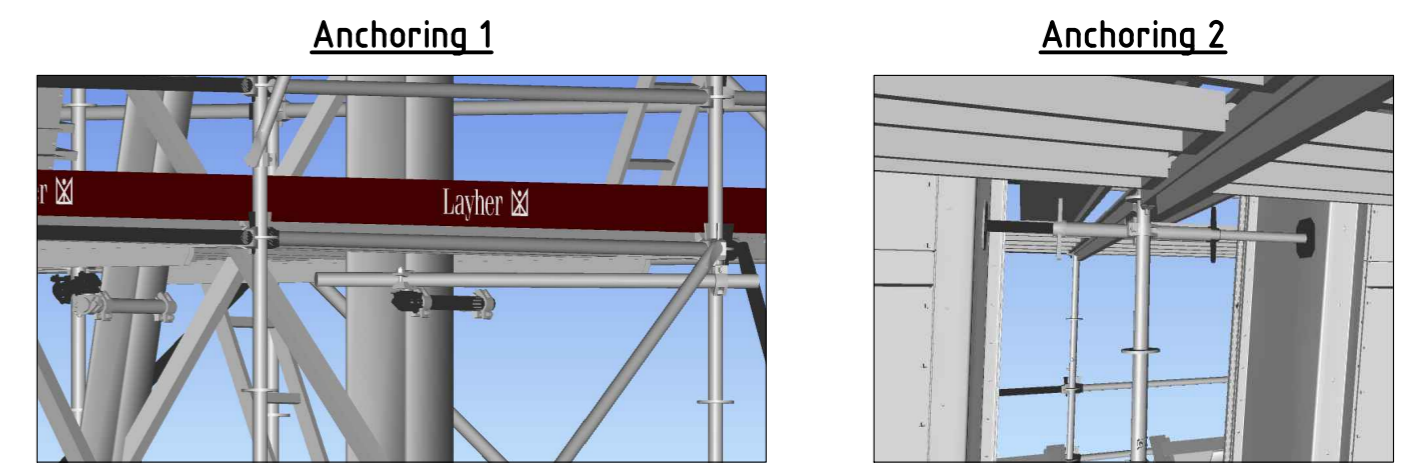
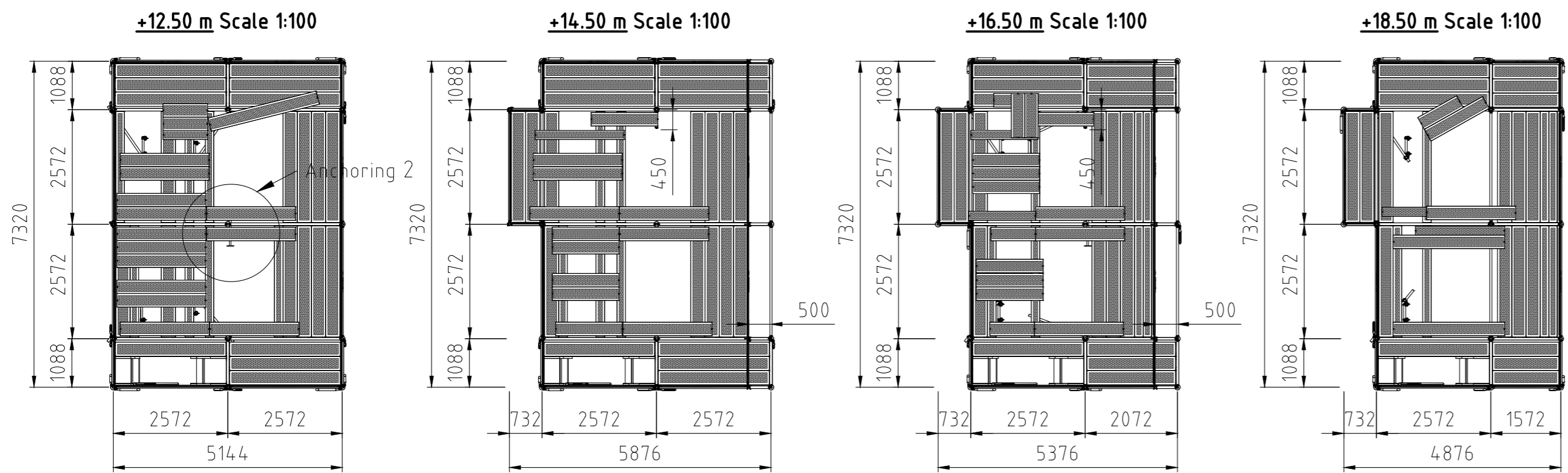
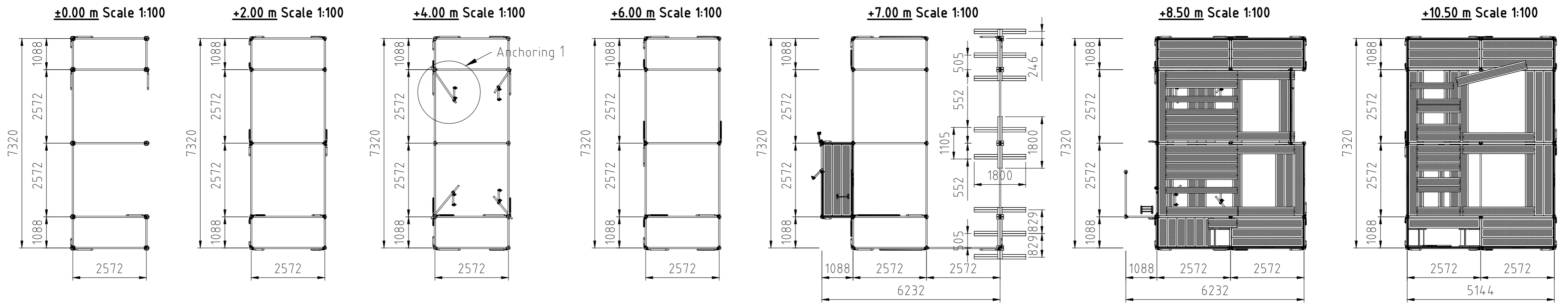
General Information

Project stage: draft proposal;
 Location: Jočionių g. 13, LT-02300 Vilnius, Lithuania;
 Wind speed zone: 24 m/s (STR 2.05.04:2003, Annex 1);
 Operational load: 2.0 kN/m² (EN 12811-1);
 Self-weight: provided in the Layher components list;
 Covering: structure is not covered;
 Anchoring: as specified in the drawing – supported on the ground/roof and anchored to the steel frame columns;
 Structural suitability and selected dimensions must be checked and approved by the client's representative.

- It is necessary to check whether the drawing is in accordance with dimensions and local conditions on site.					
				No.	Alteration
				Date	Name
Drawn	Date	Name	Layher.  Mehr möglich. Das Gerüst System. Layher Baltic UAB LT-022230 Vilnius Phone +37065500979 / Fax +37041595292 Salininku g. 82 Lietuva-Lithuania E-Mail info@layher-baltic.eu		
Checked					
Scale	Vilnius cogeneration power plant Vertical transporter - project 1 (part 1)		Drawing No.: AR 250506.(1.1.1)		
A2					

DRAFT PROPOSAL

Vertical transporter - project 1 (part 1)



General Information

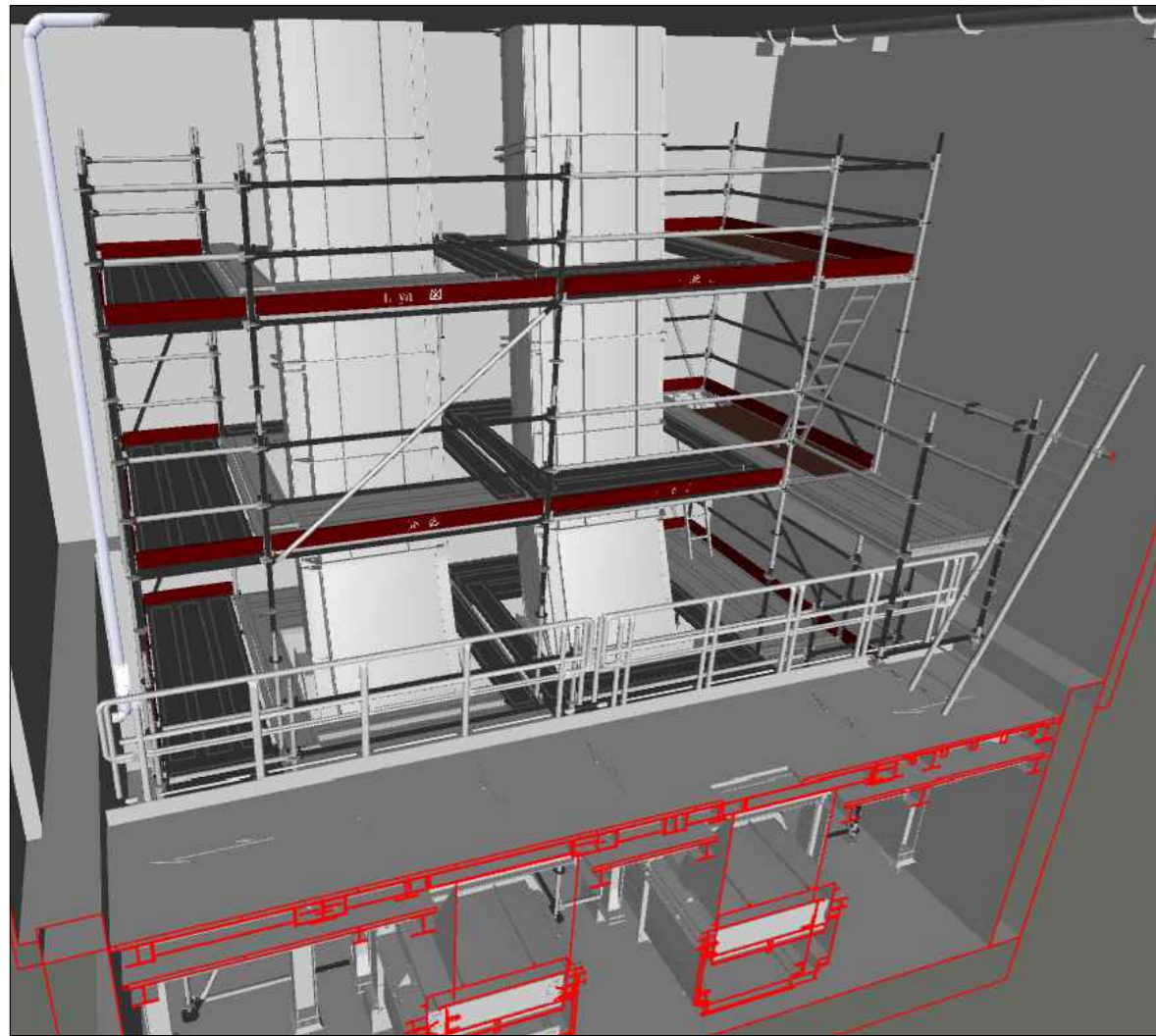
Project stage: draft proposal;
 Location: Jočionių g. 13, LT-02300 Vilnius, Lithuania;
 Wind speed zone: 24 m/s (STR 2.05.04:2003, Annex 1);
 Operational load: 2.0 kN/m² (EN 12811-1);
 Self-weight: provided in the Layher components list;
 Covering: structure is not covered;
 Anchoring: as specified in the drawing – supported on the ground/roof and anchored to the steel frame columns;
 Structural suitability and selected dimensions must be checked and approved by the client's representative.

- It is necessary to check whether the drawing is in accordance with dimensions and local conditions on site.					
Drawn	Date	Name	Layher. ☒ Mehr möglich. Das Gerüst System. Layher Baltic UAB LT-022230 Vilnius Phone +37065500919 / Fax +37041595292 Salininku g. 82 Lietuva-Lithuania E-Mail info@layher-baltic.eu		
Checked					
Scale	A2		Vilnius cogeneration power plant Vertical transporter - project 1 (part 1)		Drawing No.: AR 250506.(1.1.3)

DRAFT PROPOSAL

Vertical transporter - project 1 (part 2)

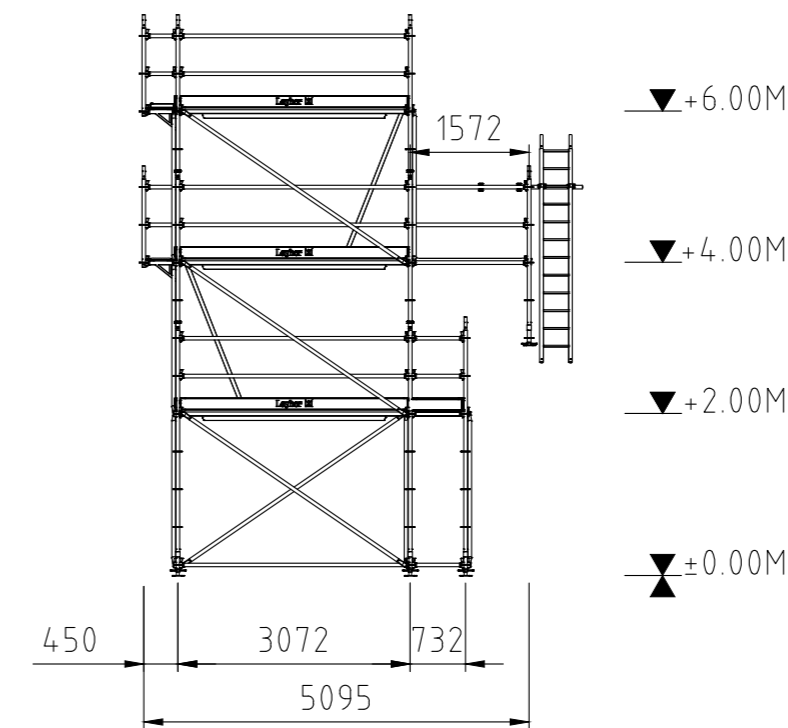
View 1



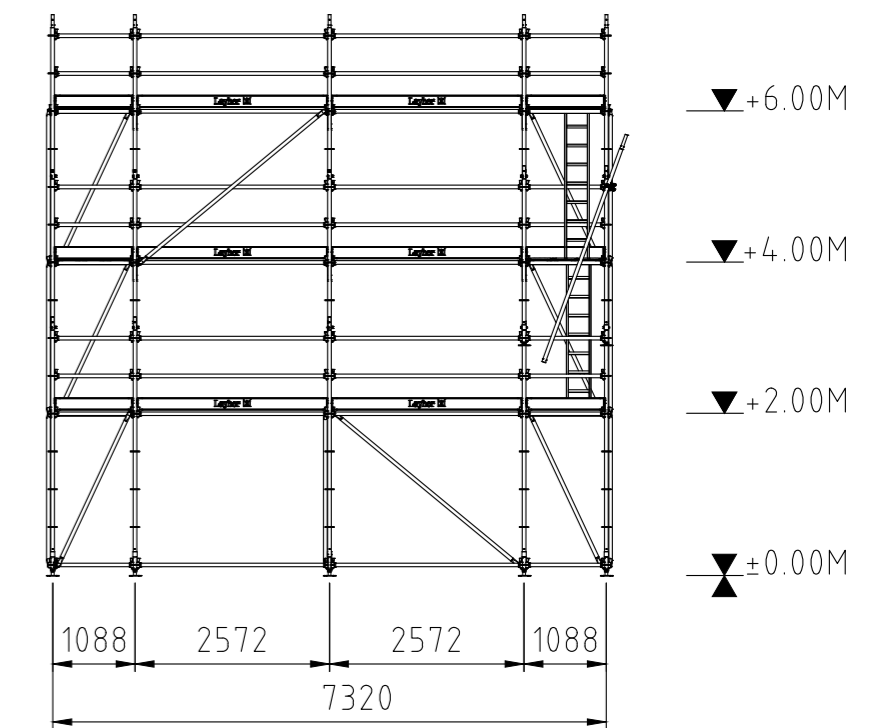
View 2



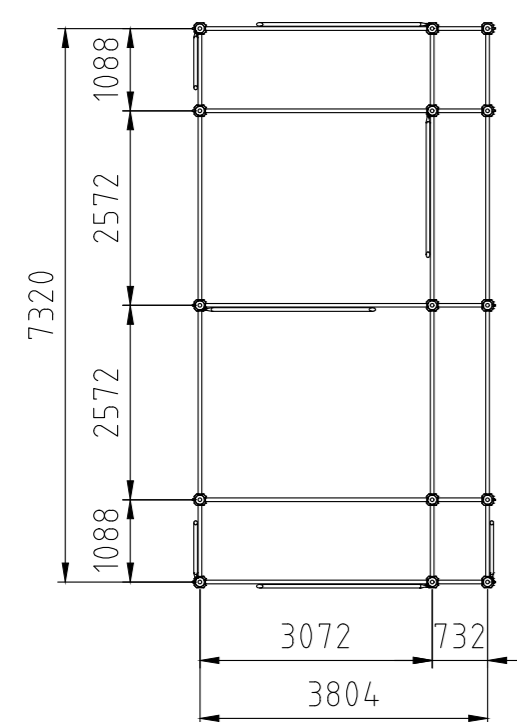
Side view Scale 1:100



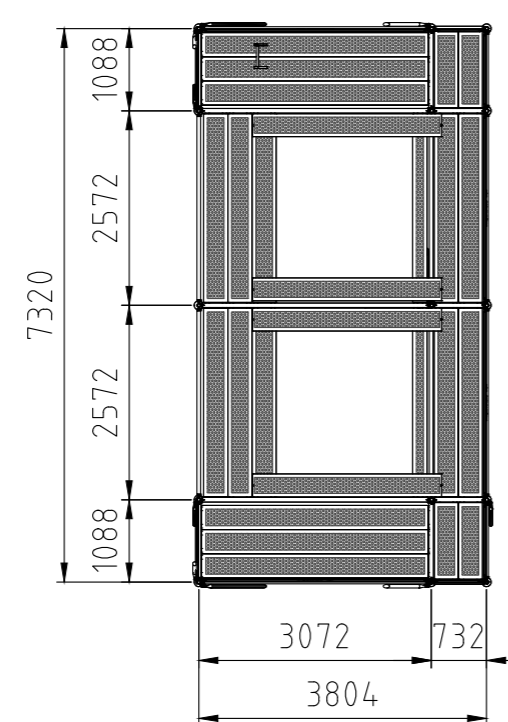
Front view Scale 1:100



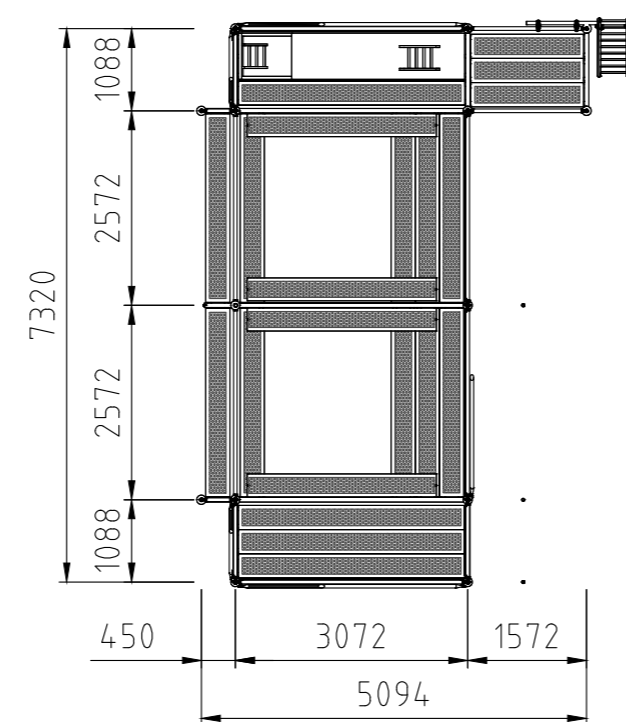
±0.00 m Scale 1:100



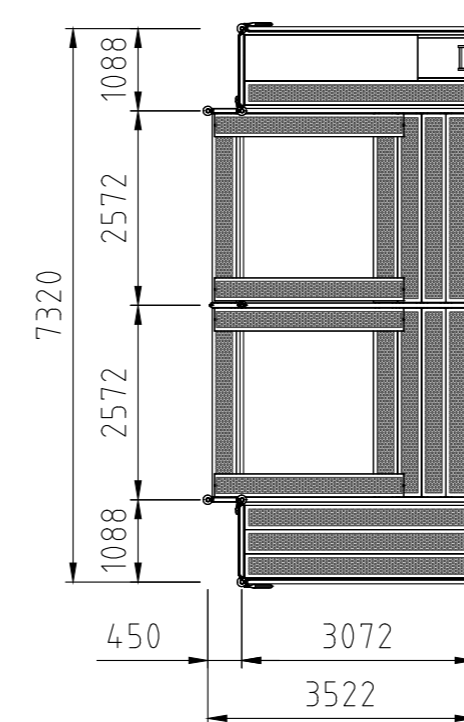
+2.00 m Scale 1:100



+4.00 m Scale 1:100




+6.00 m Scale 1:100



General Information

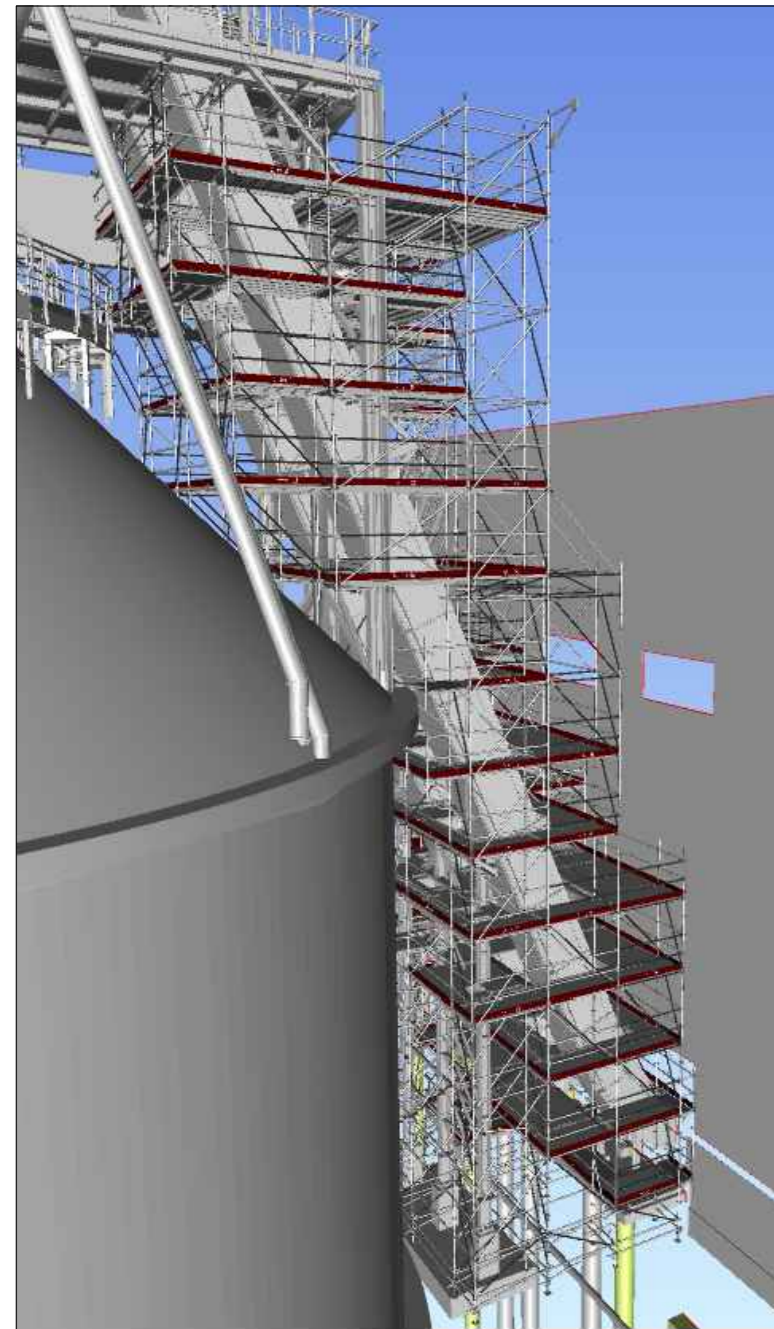
Project stage: draft proposal;
 Location: Jočioniu g. 13, LT-02300 Vilnius, Lithuania;
 Wind speed zone: 24 m/s (STR 2.05.04:2003, Annex 1);
 Operational load: 2.0 kN/m² (EN 12811-1);
 Self-weight: provided in the Layher components list;
 Covering: structure is not covered;
 Anchoring: as specified in the drawing – supported on the ground.
 Structural suitability and selected dimensions must be checked and approved by the client's representative.

- It is necessary to check whether the drawing is in accordance with dimensions and local conditions on site.					
	Date	Name	Layher.  Mehr möglich. Das Gerüst System. Layher Baltic UAB LT-022230 Vilnius Phone +37065500919 / Fax +37041595292 Salininku g. 82 Lietuva-Lithuania E-Mail info@layher-baltic.eu	It is not permitted to transmit or copy this document or use or communicate its contents unless express approval has been given. Controversions shall result in claims for damages. All rights reserved in the case of patent grant or design registration. (DIN 34)	
Drawn				No.	Alteration
Checked			Drawing No.: AR 250331.(1.2.1)		
Scale	Vilnius cogeneration power plant Vertical transporter - project 1 (part 2)				

DRAFT PROPOSAL

Vertical transporter - project 2 (part 1)

View 1



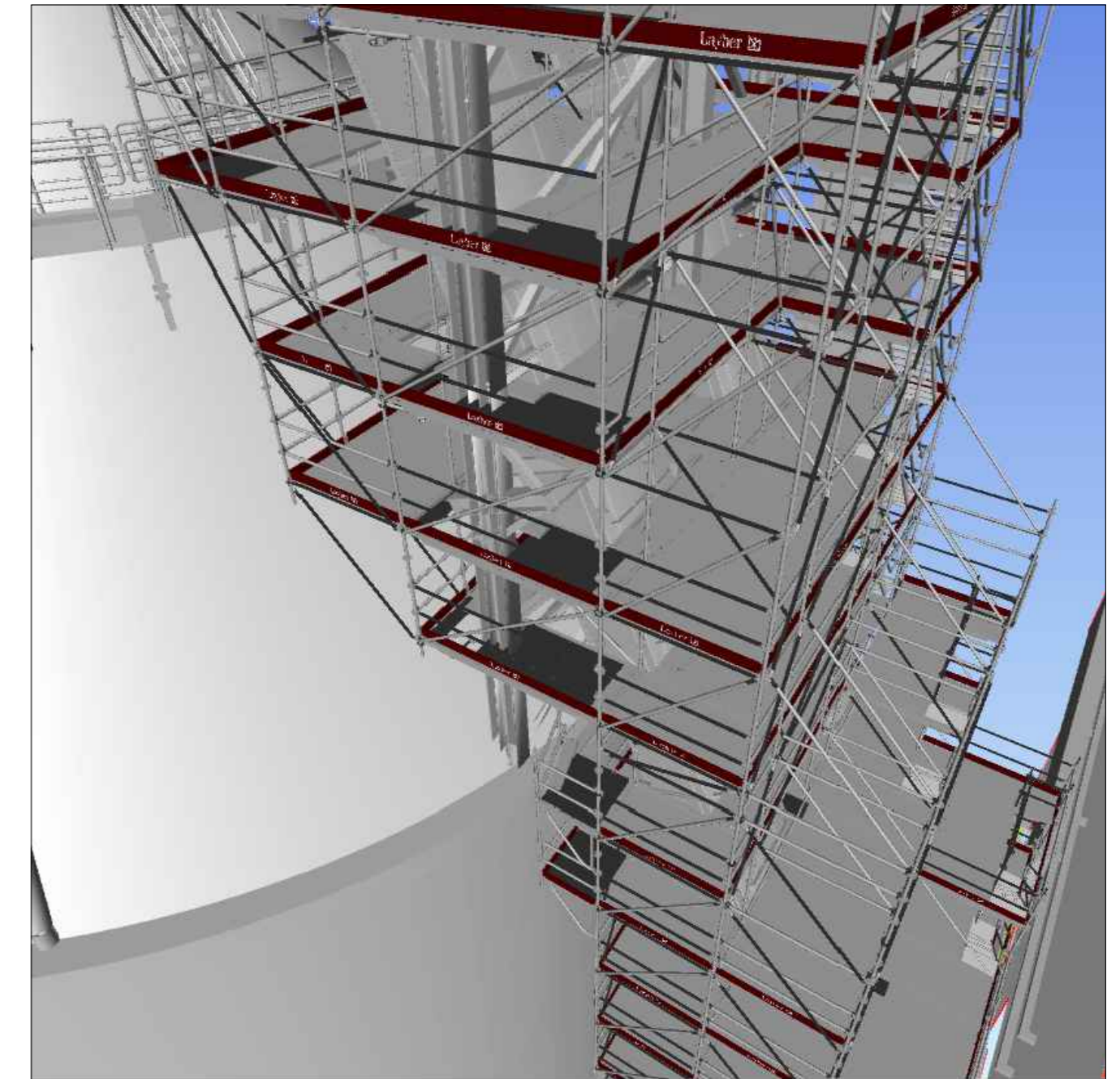
View 2



View 3



View 4




View 5



General Information

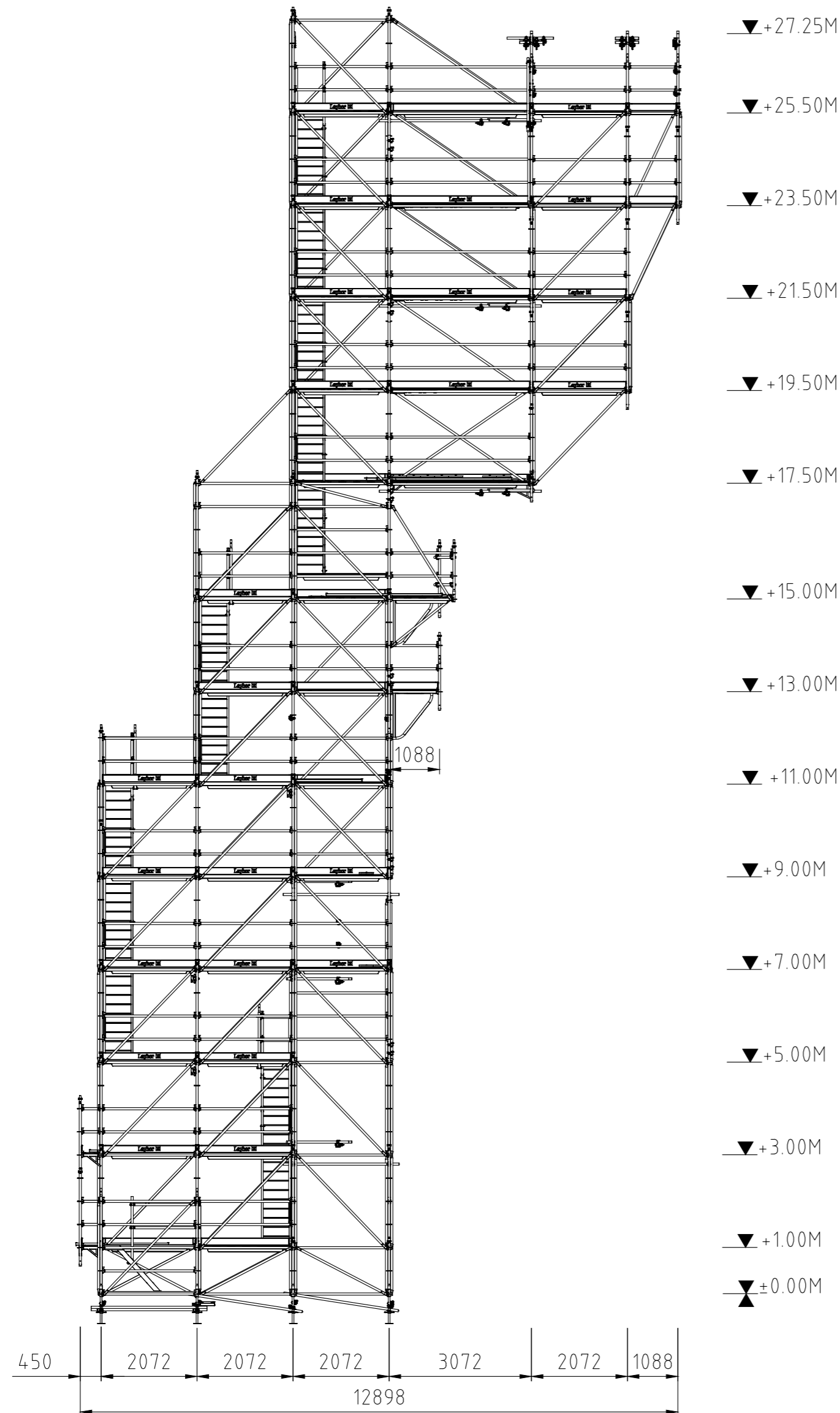
Project stage: draft proposal;
 Location: Jočionių g. 13, LT-02300 Vilnius, Lithuania;
 Wind speed zone: 24 m/s (STR 2.05.04:2003, Annex 1);
 Operational load: 2.0 kN/m² (EN 12811-1);
 Self-weight: provided in the Layher components list;
 Covering: structure is not covered;
 Anchoring: as specified in the drawing – supported on the ground, suspended from steel beams and anchored to the steel frame columns.
 Structural suitability and selected dimensions must be checked and approved by the client's representative.

- It is necessary to check whether the drawing is in accordance with dimensions and local conditions on site.					
				No.	Alteration
				Date	Name
Drawn	Date	Name	Layher.  Mehr möglich. Das Gerüst System. Layher Baltic UAB LT-022230 Vilnius Salininku g. 82 Lietuva-Lithuania E-Mail info@layher-baltic.eu		
Checked					
Scale	Vilnius cogeneration power plant Vertical transporter - project 2 (part 1)		Drawing No.: AR 250506 (2.1.1)		

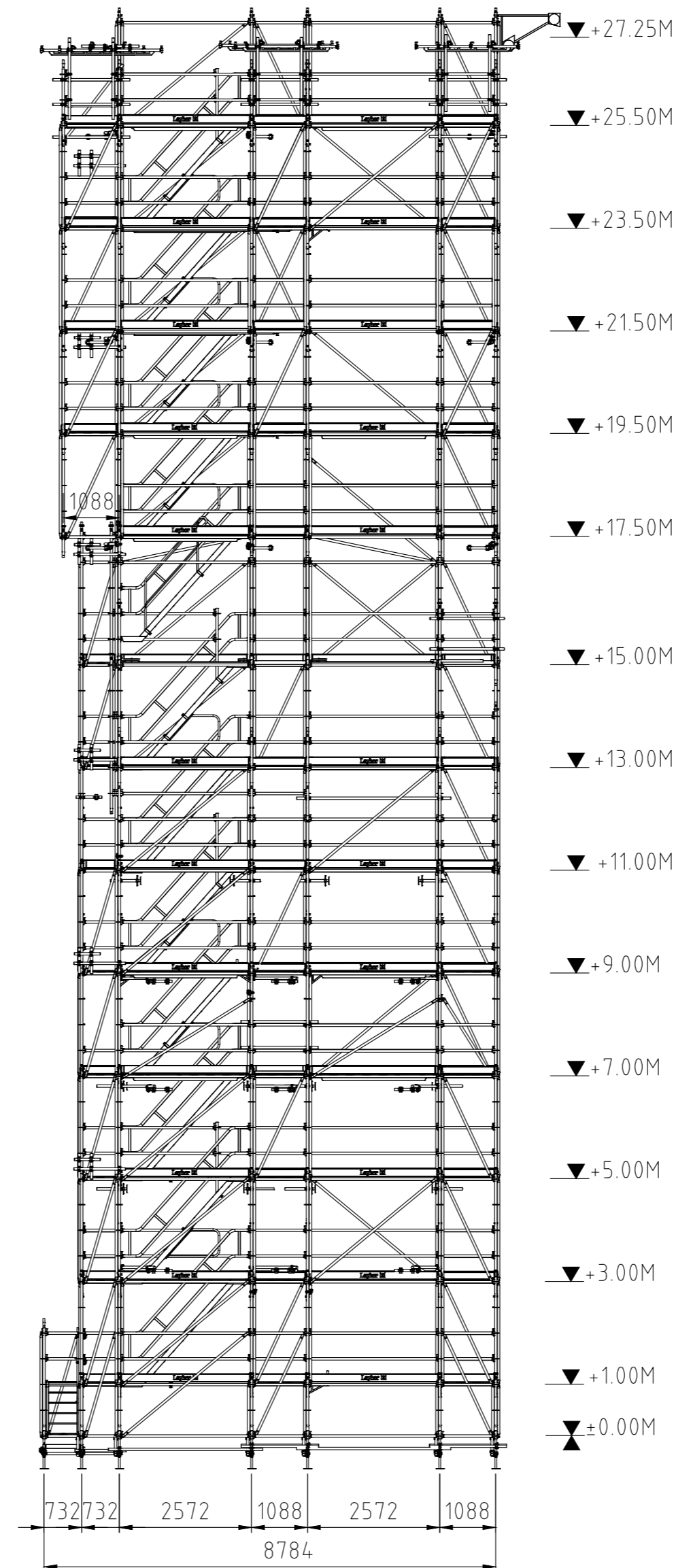
DRAFT PROPOSAL

Vertical transporter - project 2 (part 1)

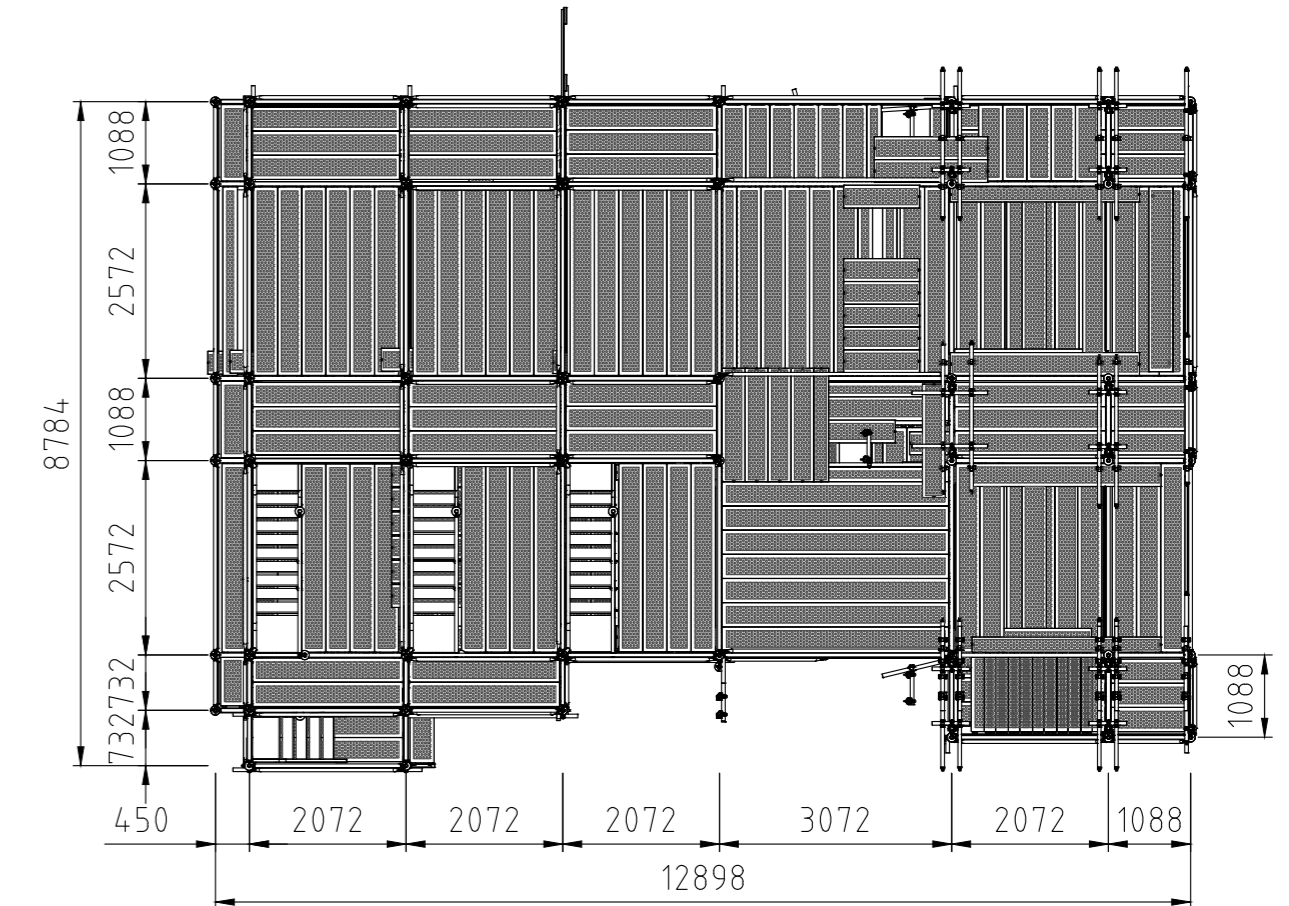
Side view Scale 1:100



Front view Scale 1:100



Top view Scale 1:100



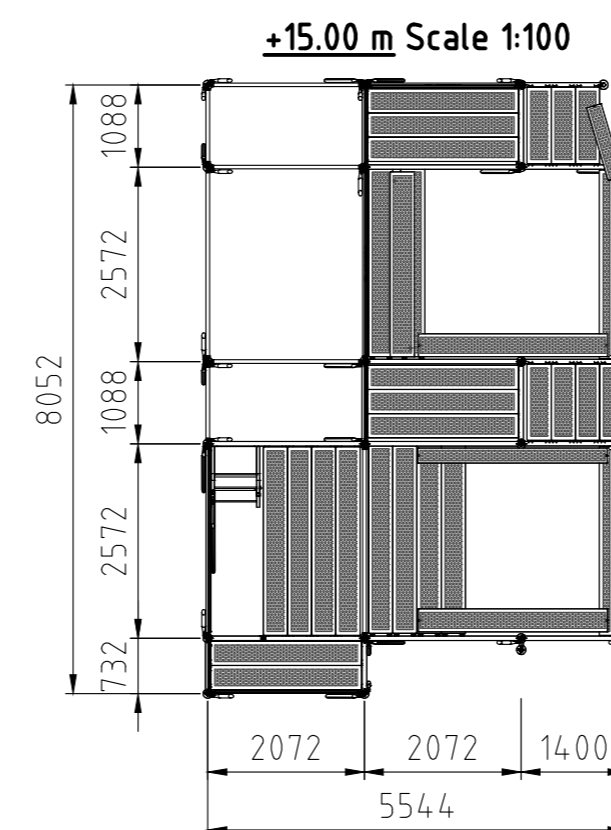
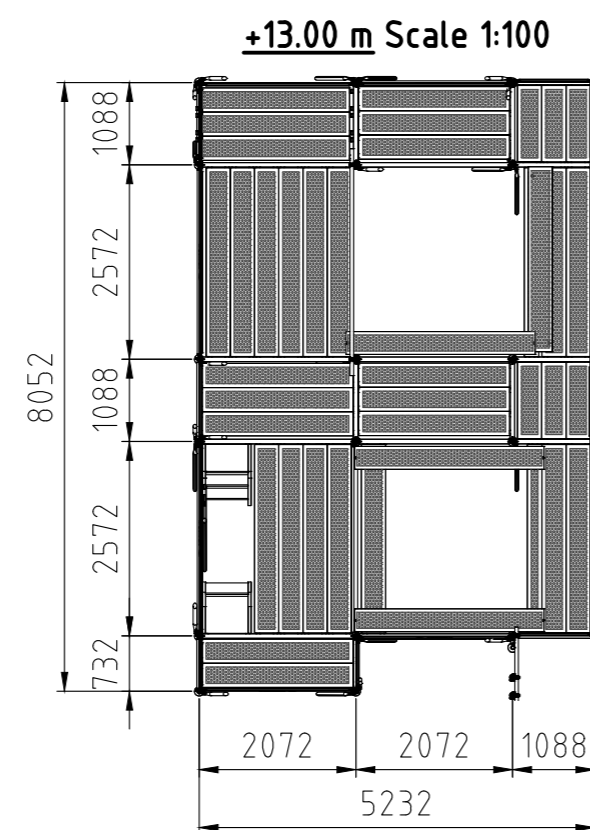
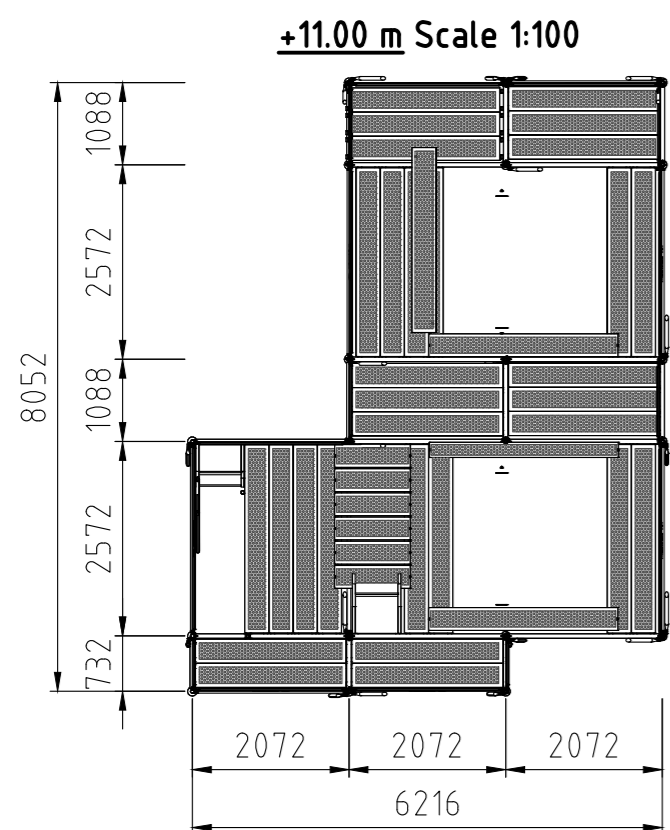
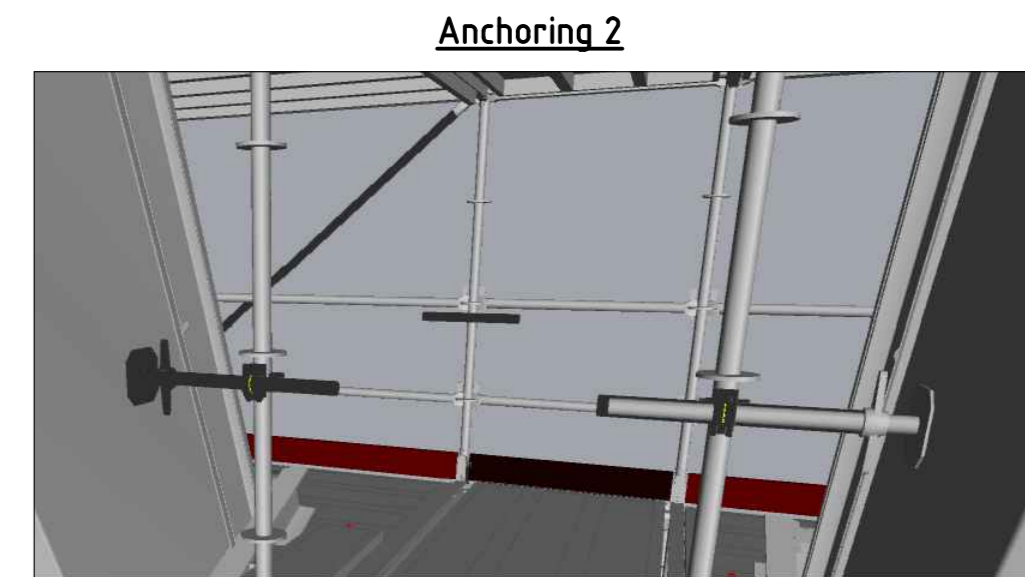
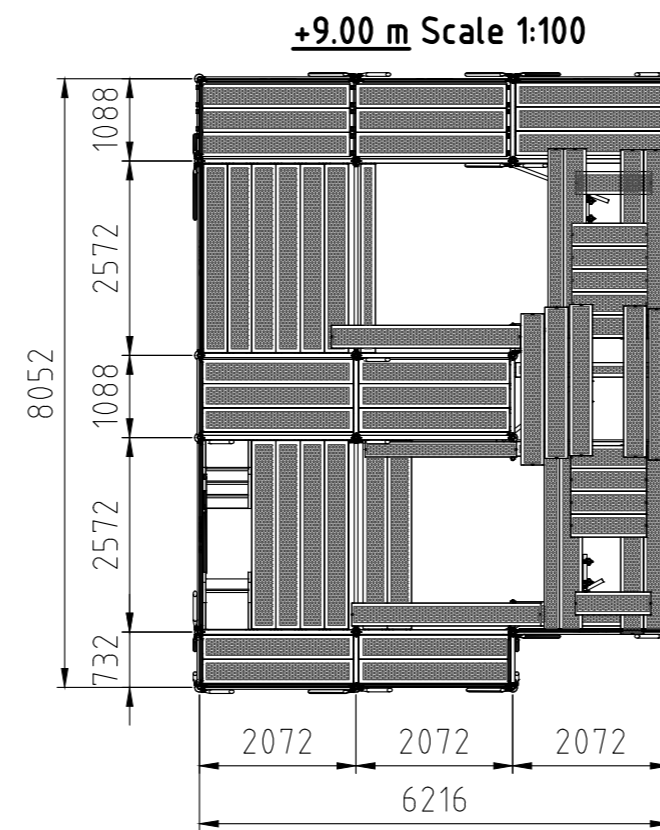
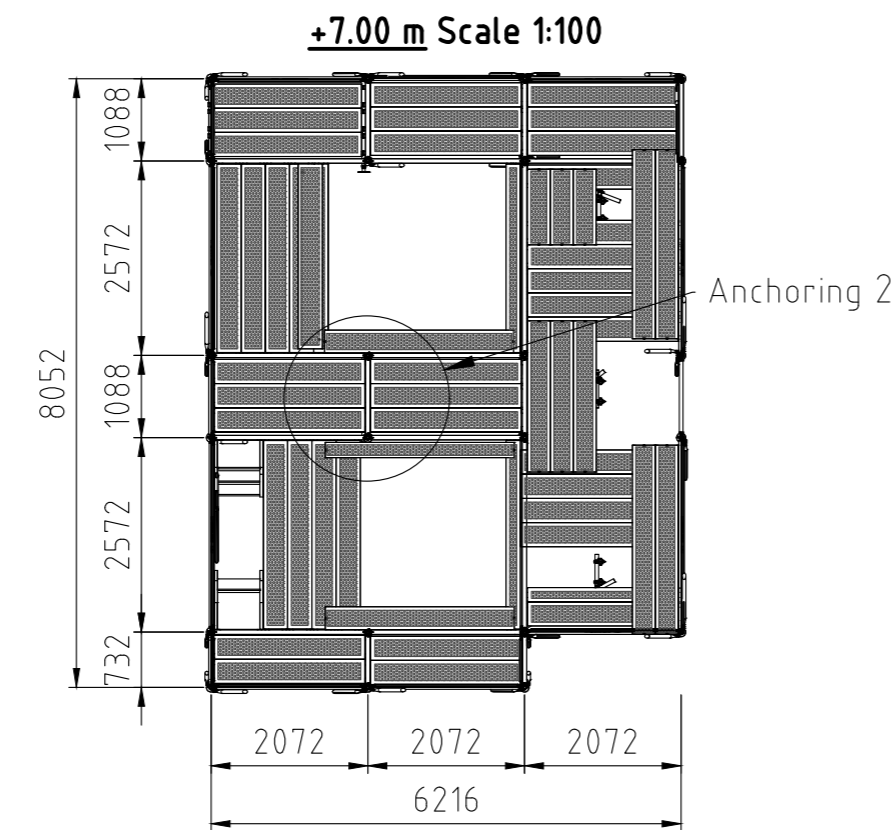
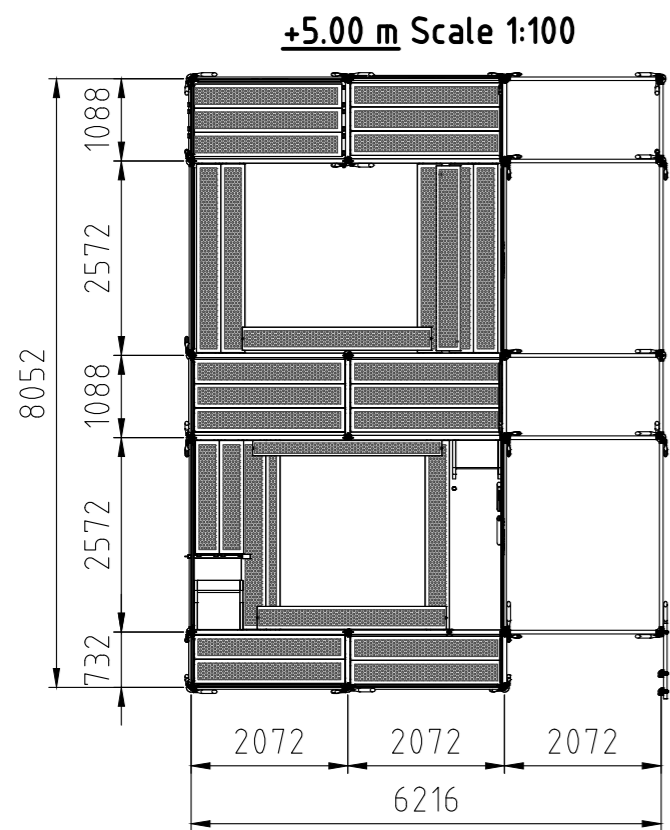
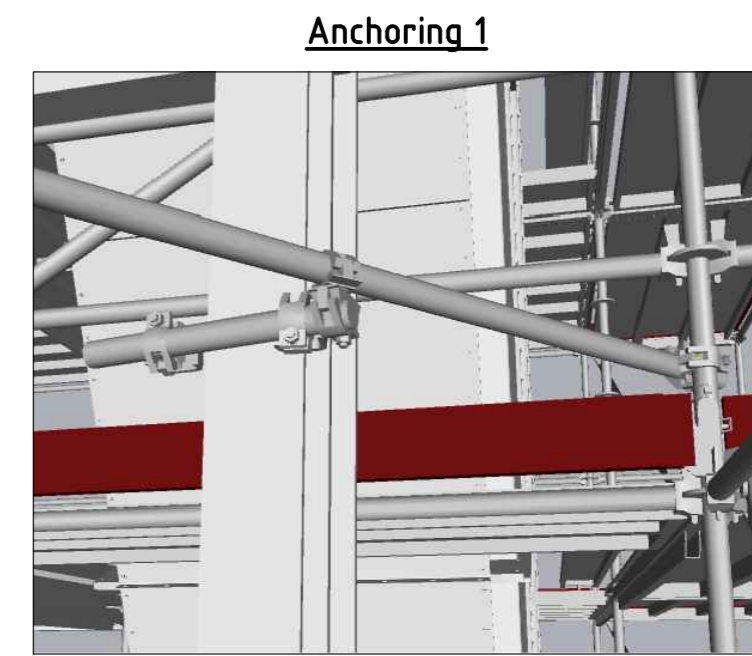
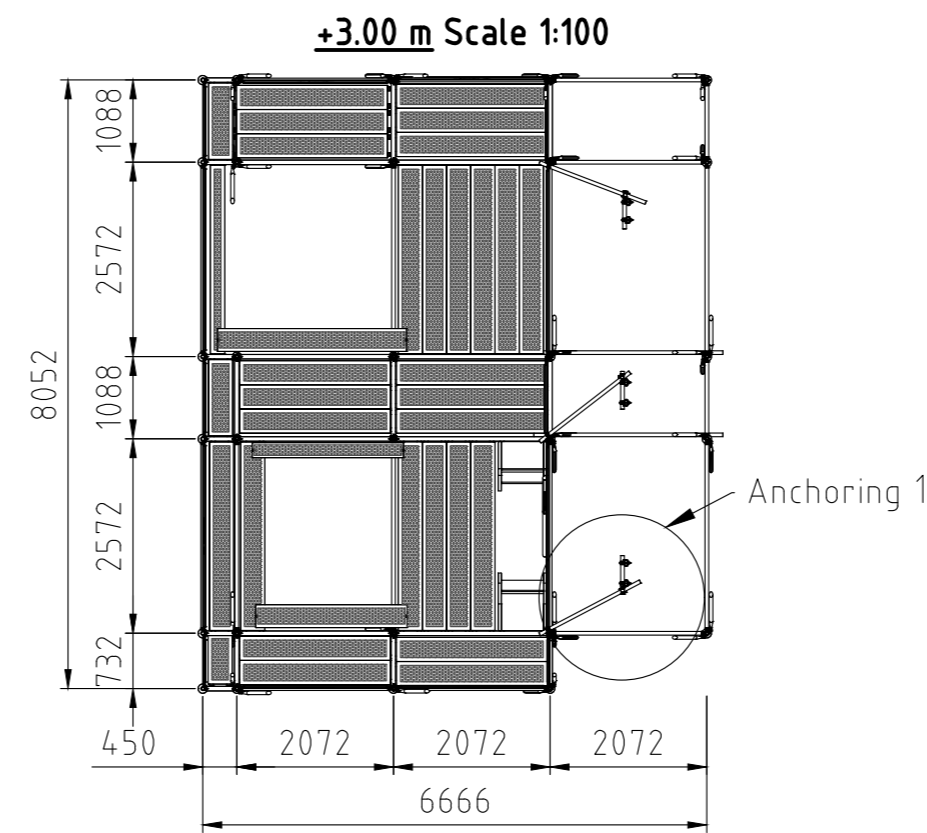
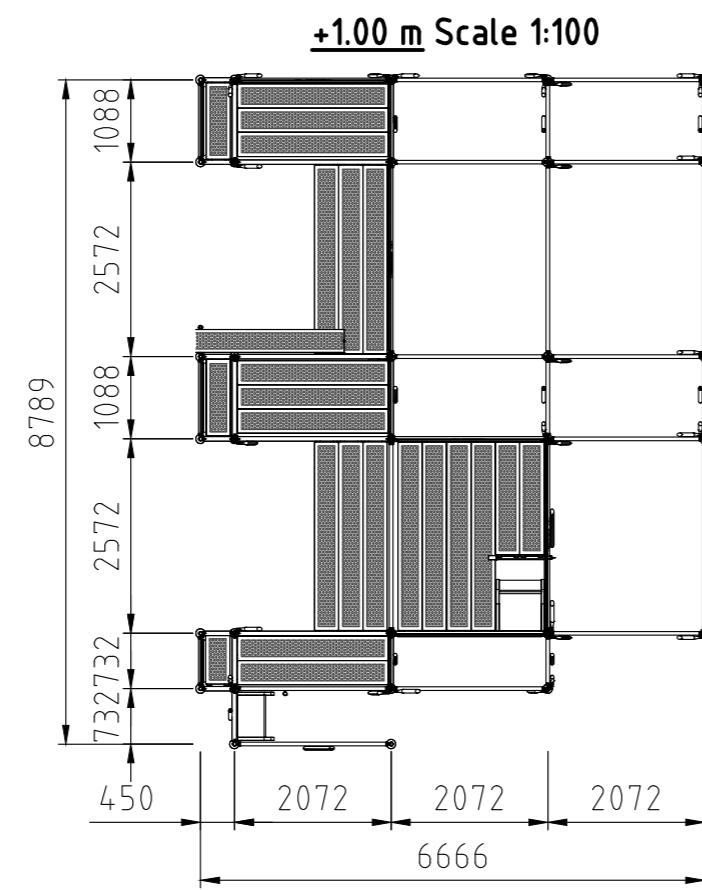
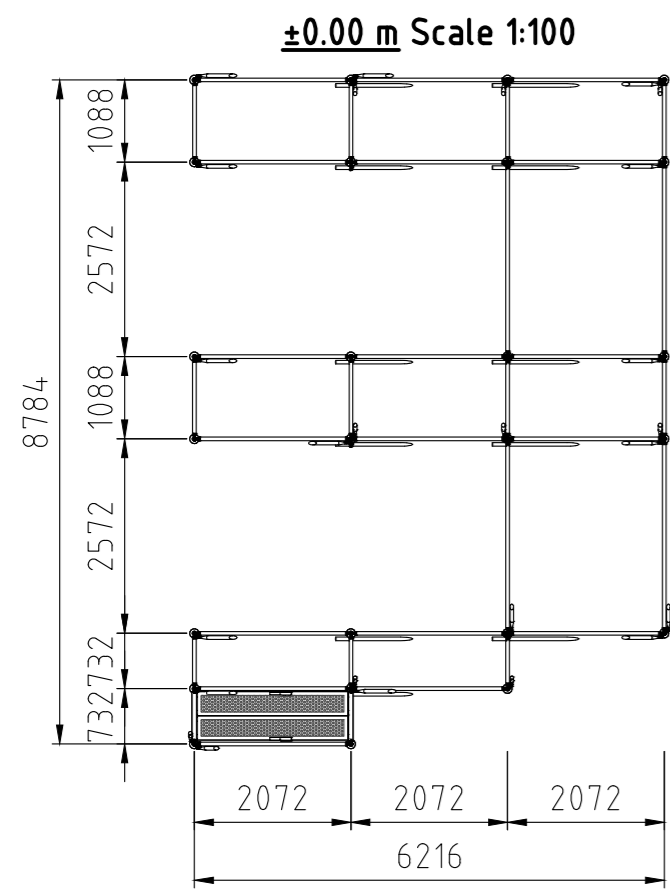
General Information

Project stage: draft proposal;
 Location: Jočionių g. 13, LT-02300 Vilnius, Lithuania;
 Wind speed zone: 24 m/s (STR 2.05.04:2003, Annex 1);
 Operational load: 2.0 kN/m² (EN 12811-1);
 Self-weight: provided in the Layher components list;
 Covering: structure is not covered;
 Anchoring: as specified in the drawing – supported on the ground, suspended from steel beams and anchored to the steel frame columns.
 Structural suitability and selected dimensions must be checked and approved by the client's representative.

- It is necessary to check whether the drawing is in accordance with dimensions and local conditions on site.					
				No.	Alteration
				Date	Name
Drawn				<p>Layher. </p> <p>Mehr möglich. Das Gerüst System.</p> <p>Layher Baltic UAB LT-022230 Vilnius Salininku g. 82 Lietuva-Lithuania E-Mail info@layher-baltic.eu</p> <p>Phone +37065500979 / Fax +37041595292</p>	
Checked					
Scale	A2	Vilnius cogeneration power plant Vertical transporter - project 2 (part 1)			

DRAFT PROPOSAL

Vertical transporter - project 2 (part 1)



General Information

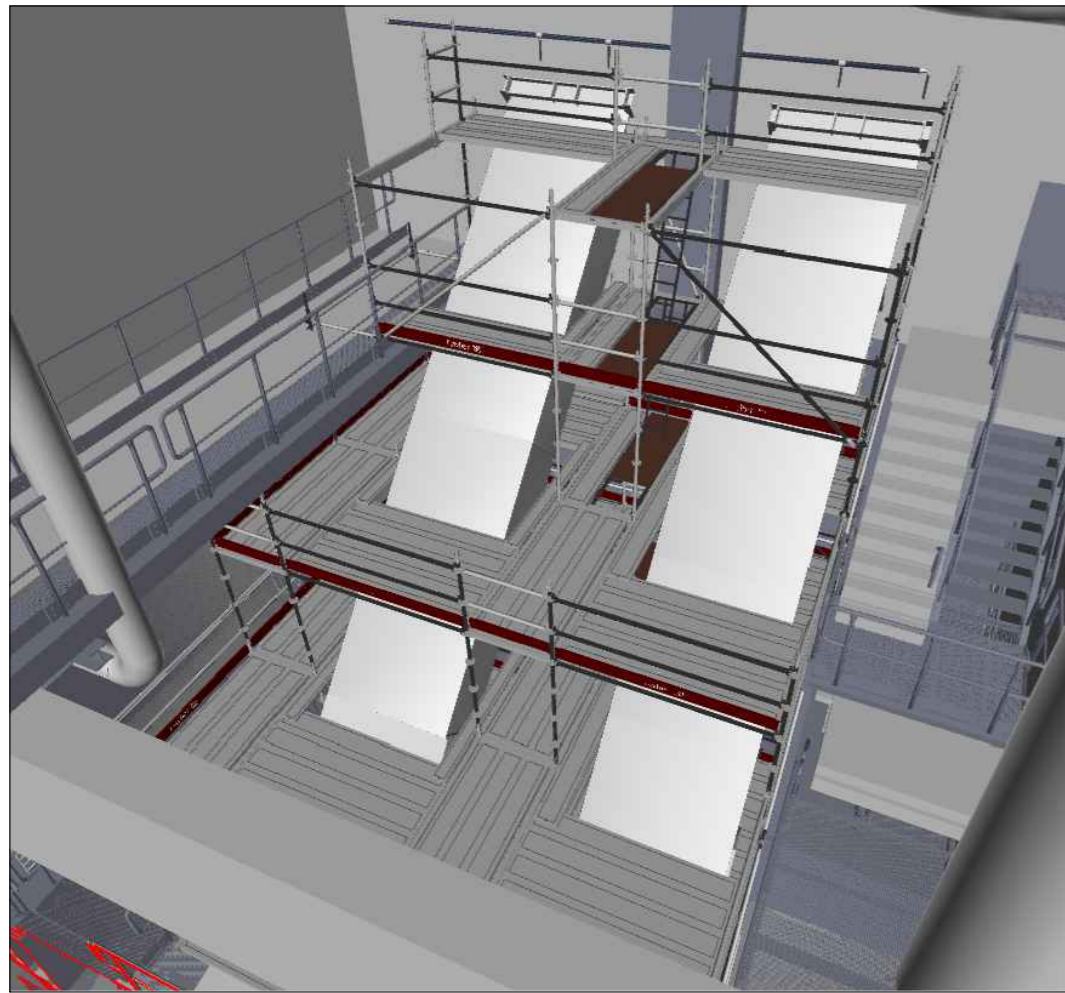
Project stage: draft proposal;
 Location: Jočionių g. 13, LT-02300 Vilnius, Lithuania;
 Wind speed zone: 24 m/s (STR 2.05.04:2003, Annex 1);
 Operational load: 2.0 kN/m² (EN 12811-1);
 Self-weight: provided in the Layher components list;
 Covering: structure is not covered;
 Anchoring: as specified in the drawing – supported on the ground, suspended from steel beams and anchored to the steel frame columns.
 Structural suitability and selected dimensions must be checked and approved by the client's representative.

- It is necessary to check whether the drawing is in accordance with dimensions and local conditions on site.					
				No.	Alteration
				Date	Name
Drawn	Date	Name	<p>Layher. </p> <p>Mehr möglich. Das Gerüst System.</p> <p>Layher Baltic UAB LT-022230 Vilnius Salininku g. 82 Lietuva-Lithuania E-Mail info@layher-baltic.eu</p> <p>Phone +37065500919 / Fax +37041595292</p>		
Checked					
Scale	A2				
Vilnius cogeneration power plant Vertical transporter - project 2 (part 1)			Drawing No.: AR 250506.(2.1.3)		

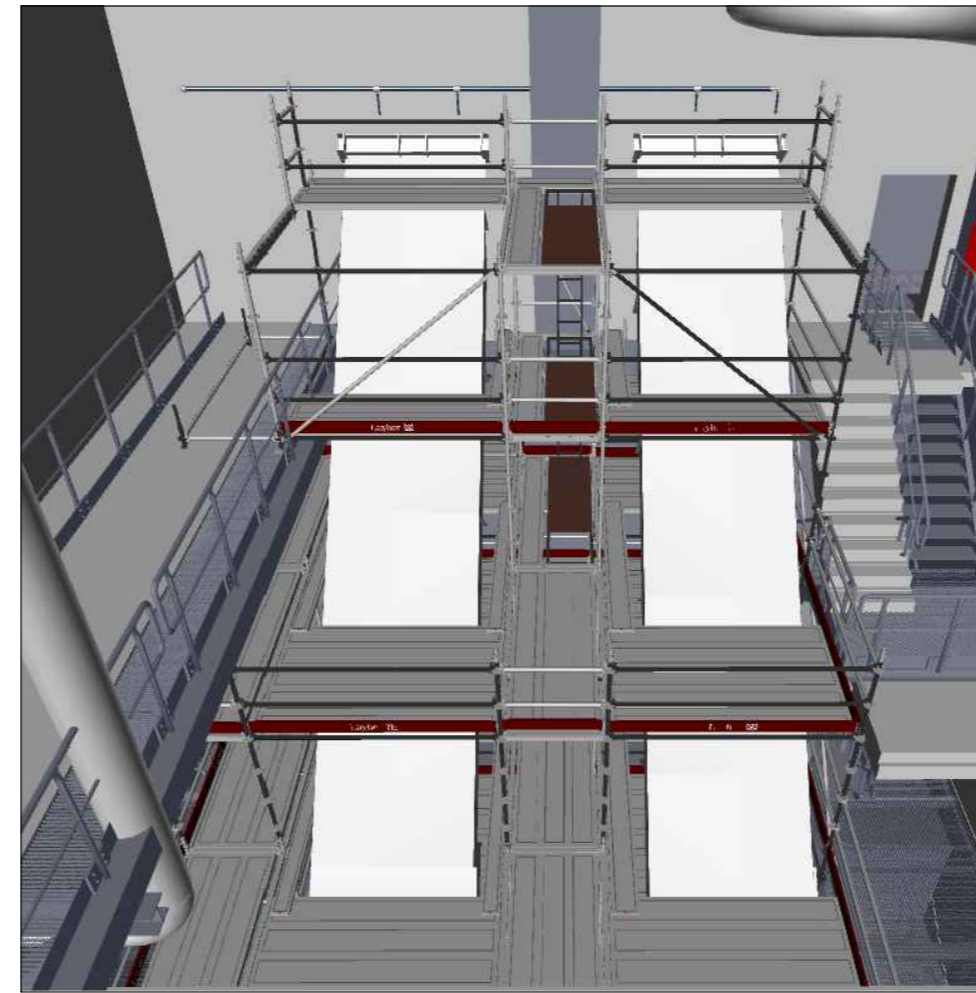
DRAFT PROPOSAL

Vertical transporter - project 2 (part 2)

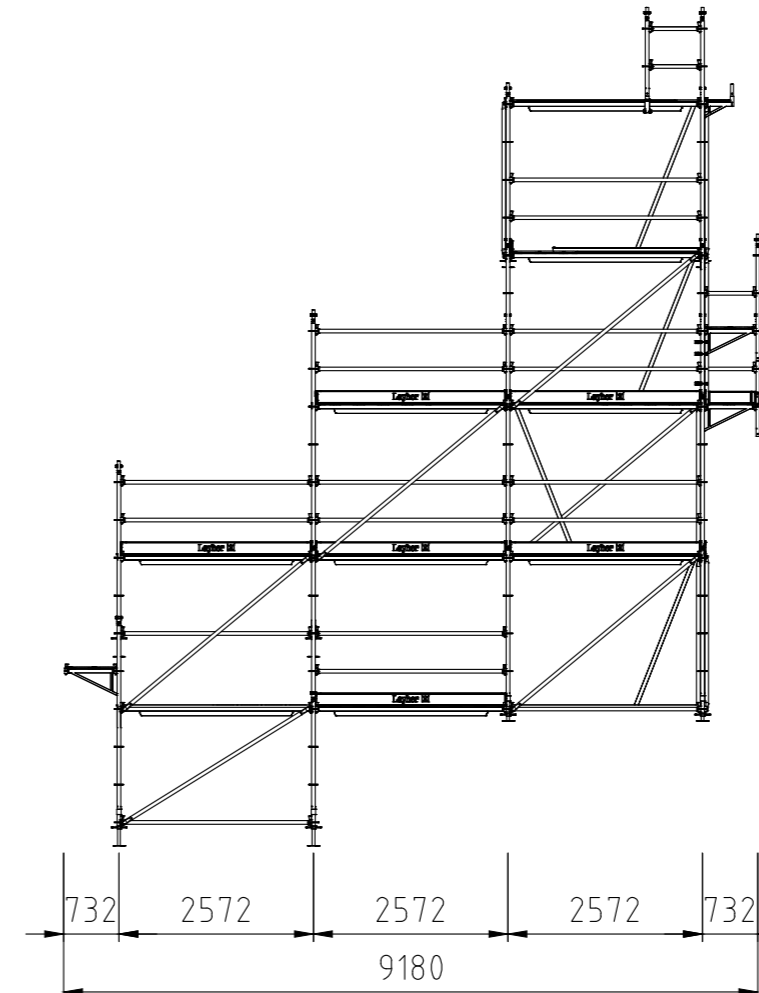
View 1



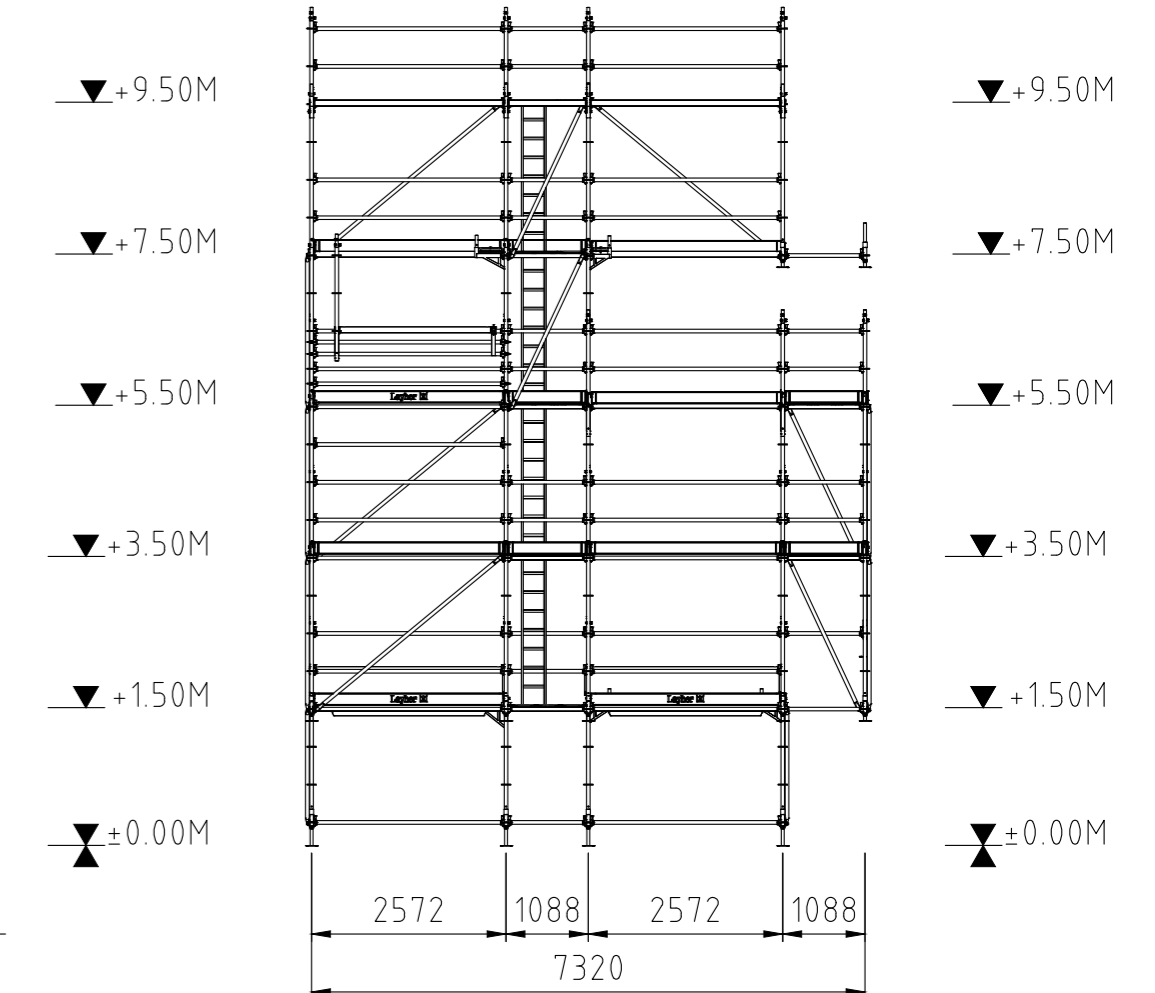
View 2



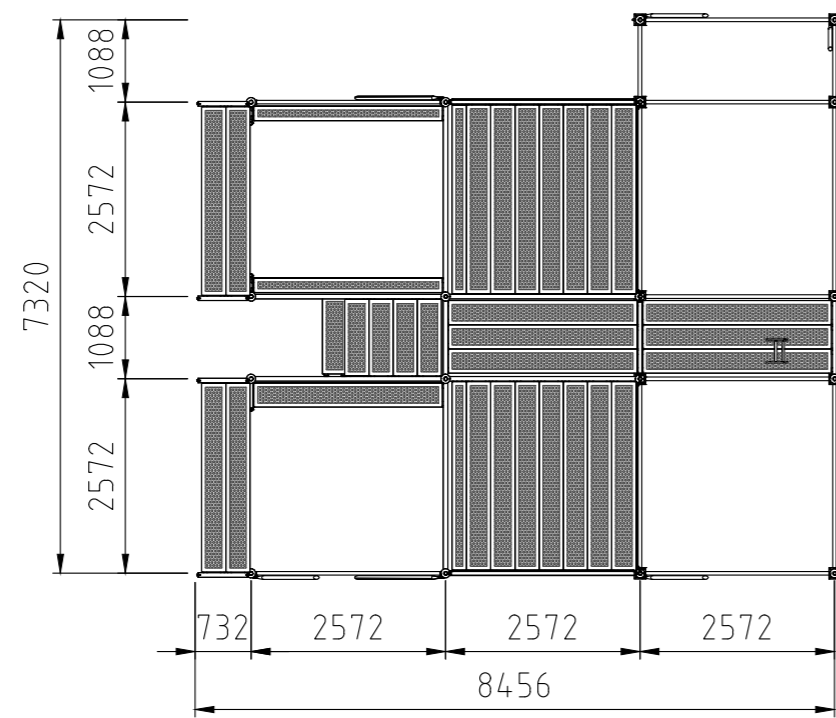
Side view Scale 1:100



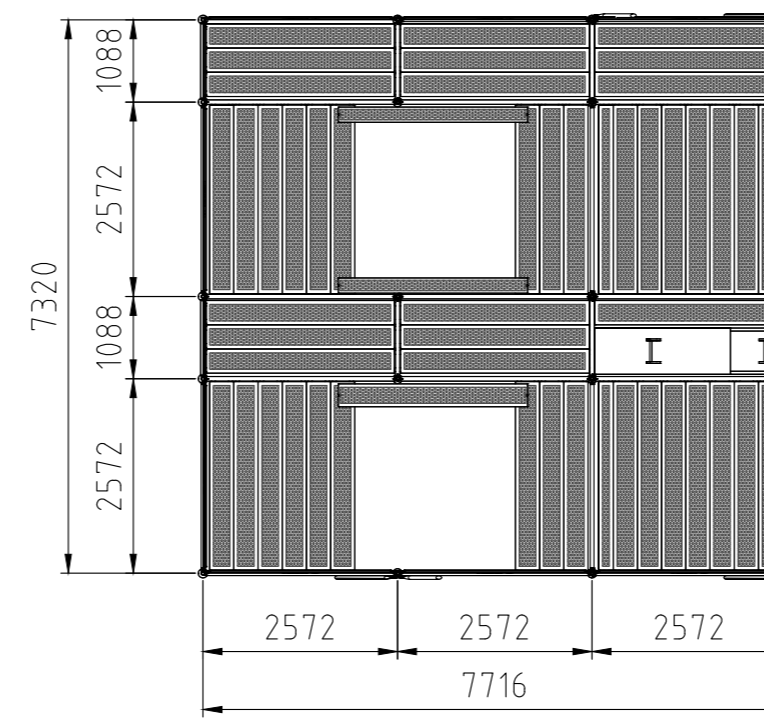
Front view Scale 1:100



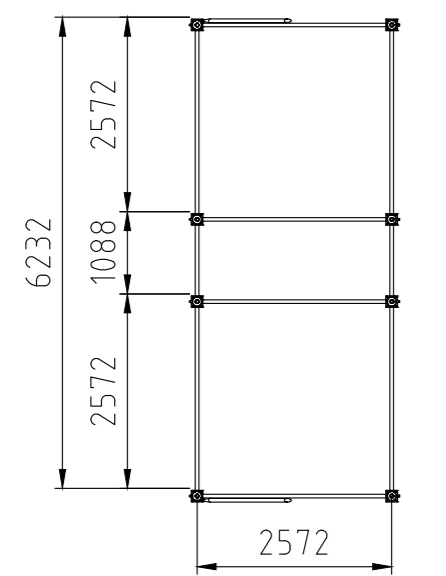
+1.50 m Scale 1:100



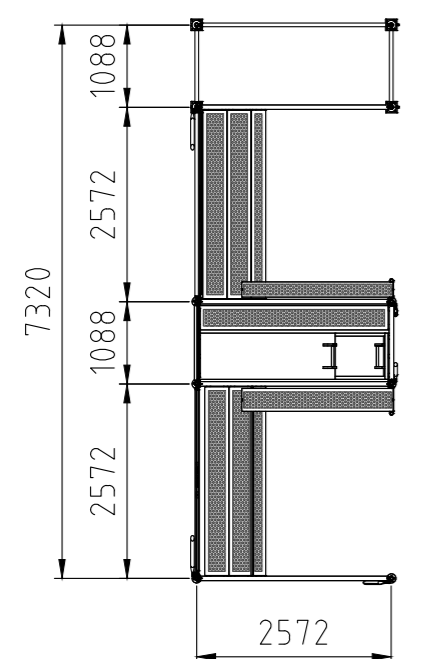
+3.50 m Scale 1:100



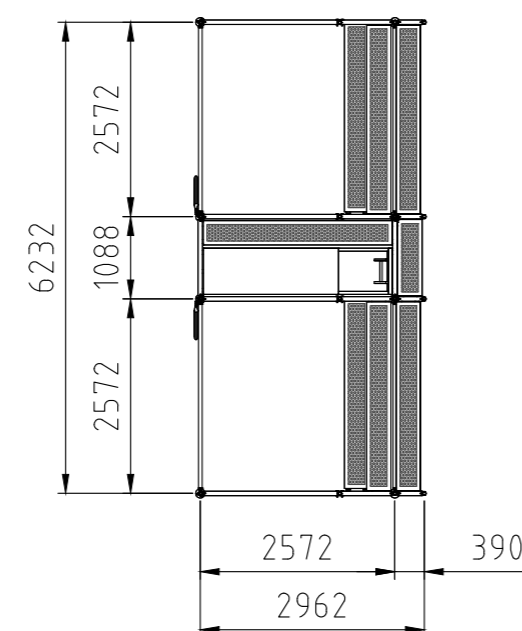
±0.00 m Scale 1:100



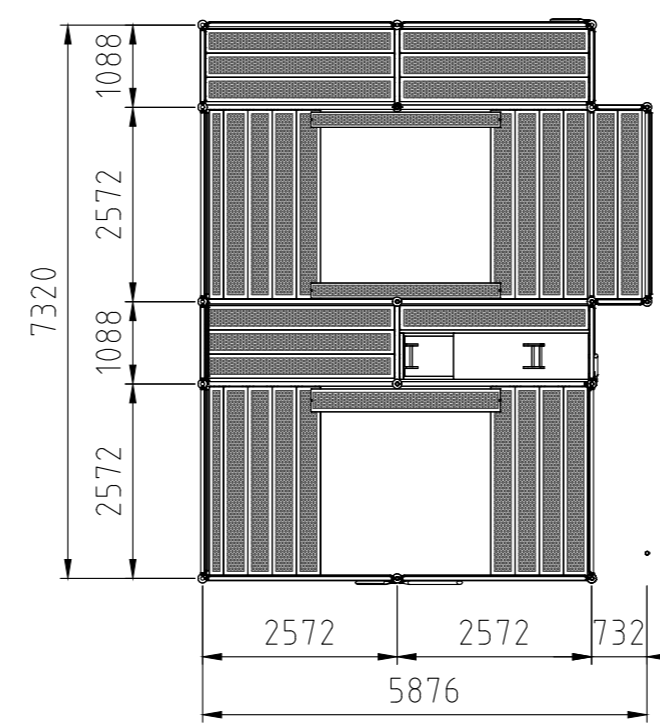
+7.50 m Scale 1:100



+9.50 m Scale 1:100



+5.50 m Scale 1:100



General Information

Project stage: draft proposal;

Location: Jočioniu g. 13, LT-02300 Vilnius, Lithuania;

Wind speed zone: 24 m/s (STR 2.05.04:2003, Annex 1);

Operational load: 2.0 kN/m² (EN 12811-1);

Self-weight: provided in the Layher components list;

Covering: structure is not covered;

Anchoring: as specified in the drawing – supported on the ground.

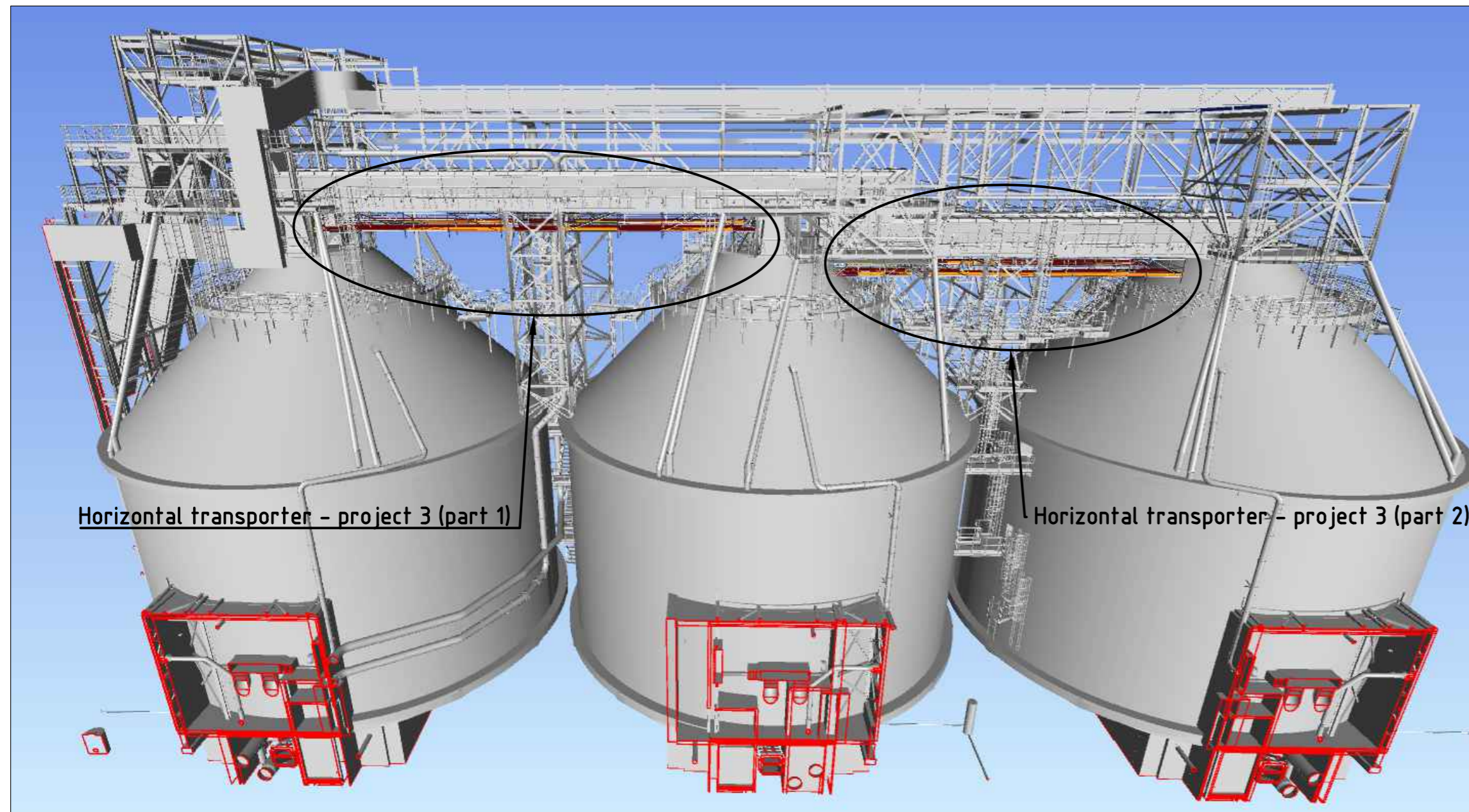
Structural suitability and selected dimensions must be checked and approved by the client's representative.

- It is necessary to check whether the drawing is in accordance with dimensions and local conditions on site.					
				No.	Alteration
				Date	Name
Drawn	Date	Name	<p>Layher. </p> <p>Mehr möglich. Das Gerüst System.</p> <p>Layher Baltic UAB LT-022230 Vilnius Salininku g. 82 Lietuva-Lithuania E-Mail info@layher-baltic.eu</p> <p>Phone +37065500919 / Fax +37041595292</p>		
Checked					
Scale	A2				
Vilnius cogeneration power plant Vertical transporter - project 2 (part 2)			Drawing No.: AR 250331.(2.2.1)		

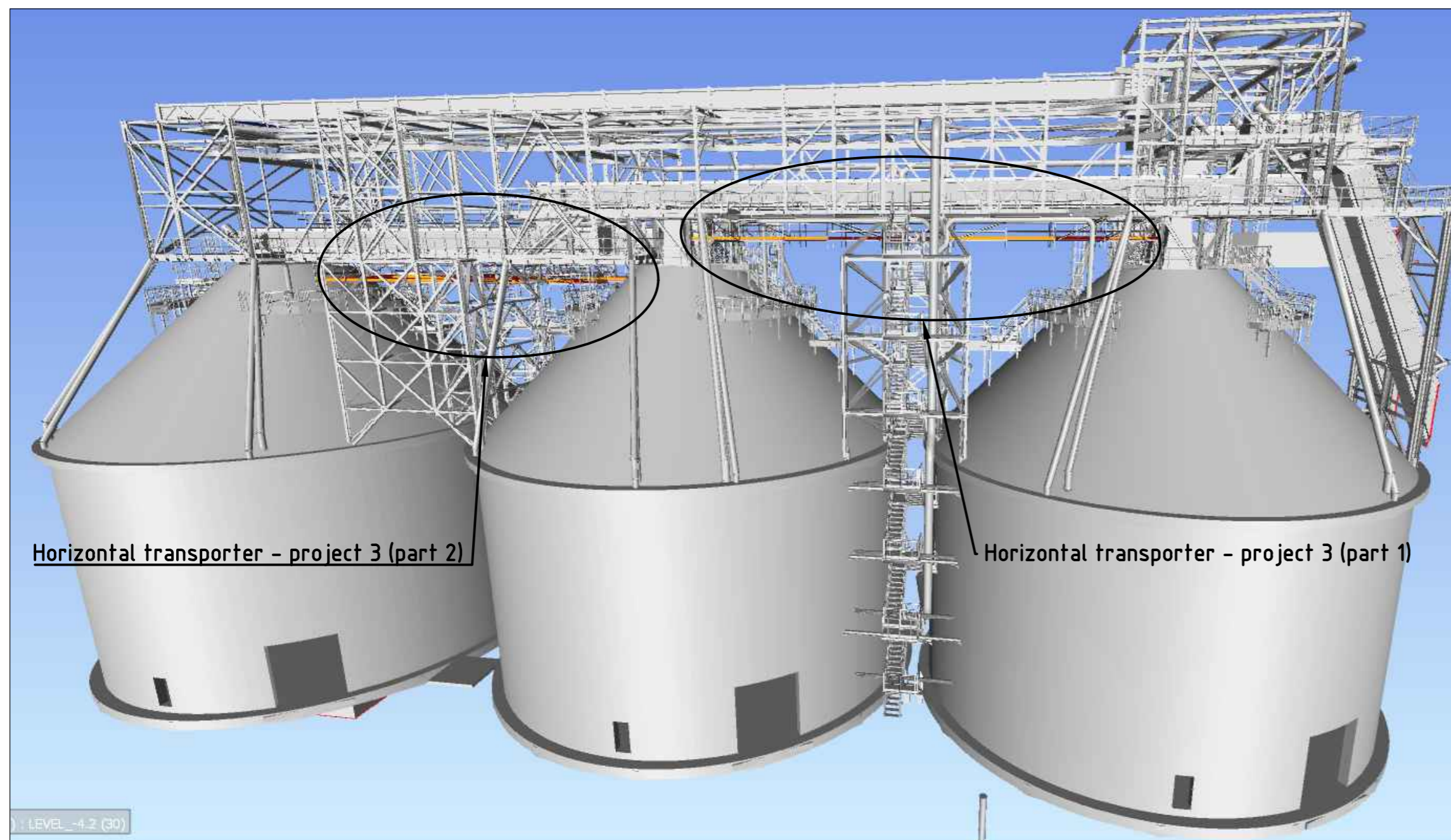
DRAFT PROPOSAL

Horizontal transporter - project 3

Isometric view of the place




Isometric view of the place



General Information

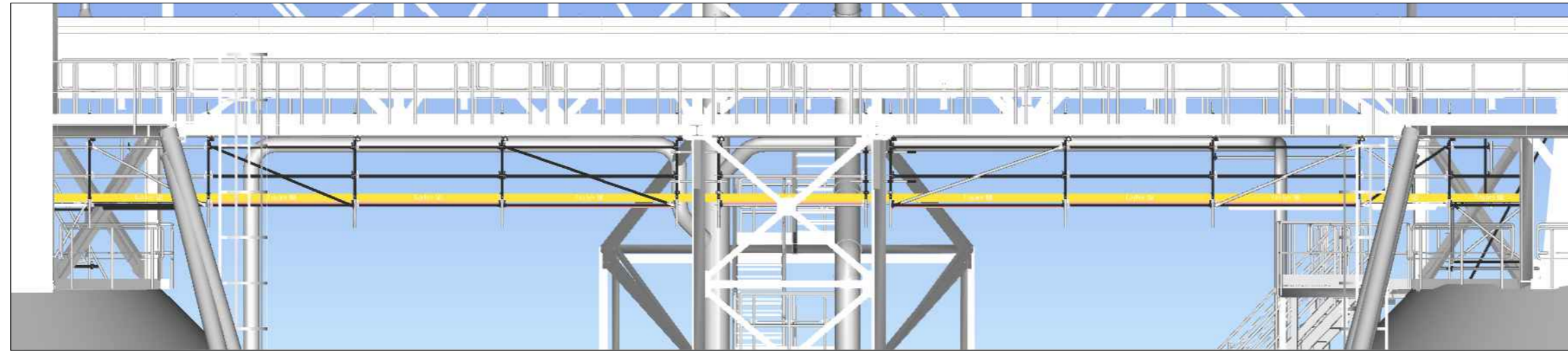
Project stage: draft proposal;
 Location: Jočionių g. 13, LT-02300 Vilnius, Lithuania;
 Wind speed zone: 24 m/s (STR 2.05.04:2003, Annex 1);
 Operational load: 2.0 kN/m² (EN 12811-1);
 Self-weight: provided in the Layher components list;
 Covering: structure is not covered;
 Anchoring: as specified in the drawing - the structure is suspended from steel beams.
 Structural suitability and selected dimensions must be checked and approved by the client's representative.

- It is necessary to check whether the drawing is in accordance with dimensions and local conditions on site. - Small plates must be installed at the scaffold attachment points to eliminate any remaining gap between the hook and the steel beam.			
		No. Alteration Date Name	
Drawn	Date	Name	Layher.  Mehr möglich. Das Gerüst System. Layher Baltic UAB LT-022230 Vilnius Phone +37065500919 / Fax +37041595292 Salininku g. 82 Lietuva-Lithuania E-Mail info@layher-baltic.eu
Checked			
Scale	Vilnius cogeneration power plant Horizontal transporter - project 3		Drawing No.:
A2			AR 250331(3)

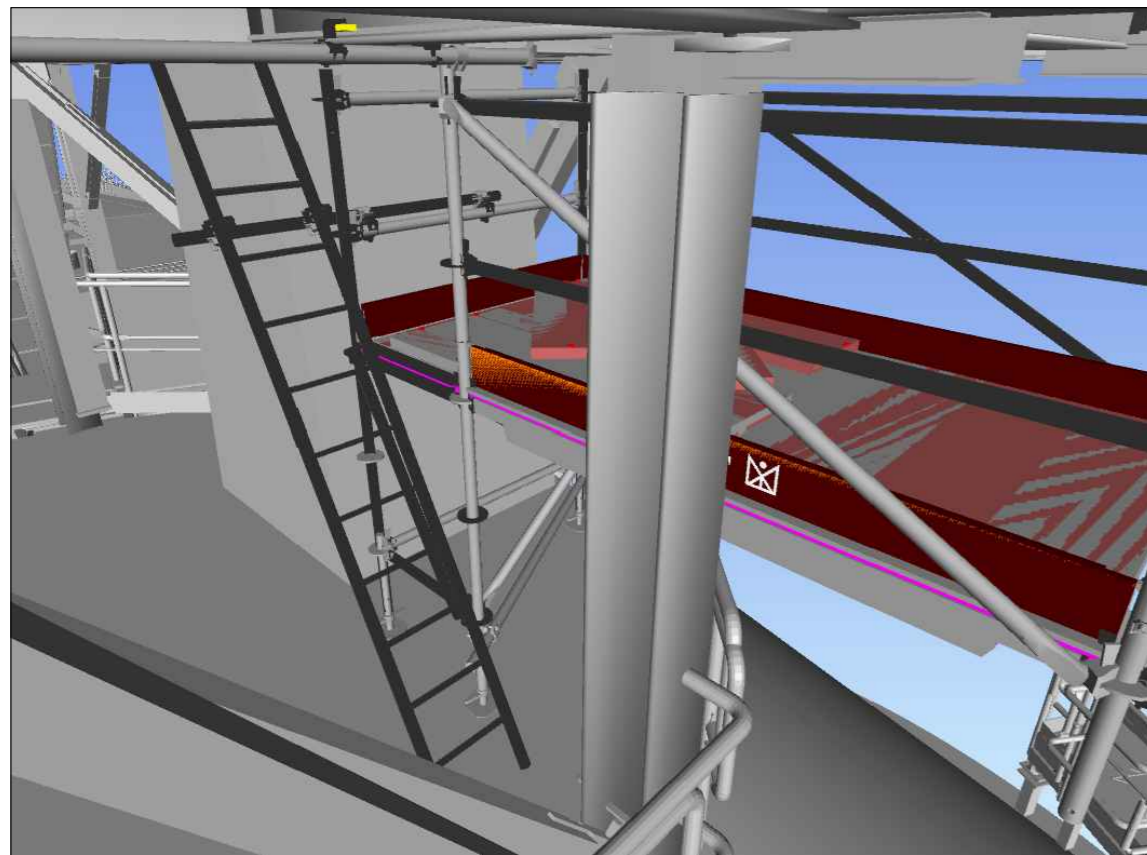
DRAFT PROPOSAL

Horizontal transporter - project 3 (part 1)

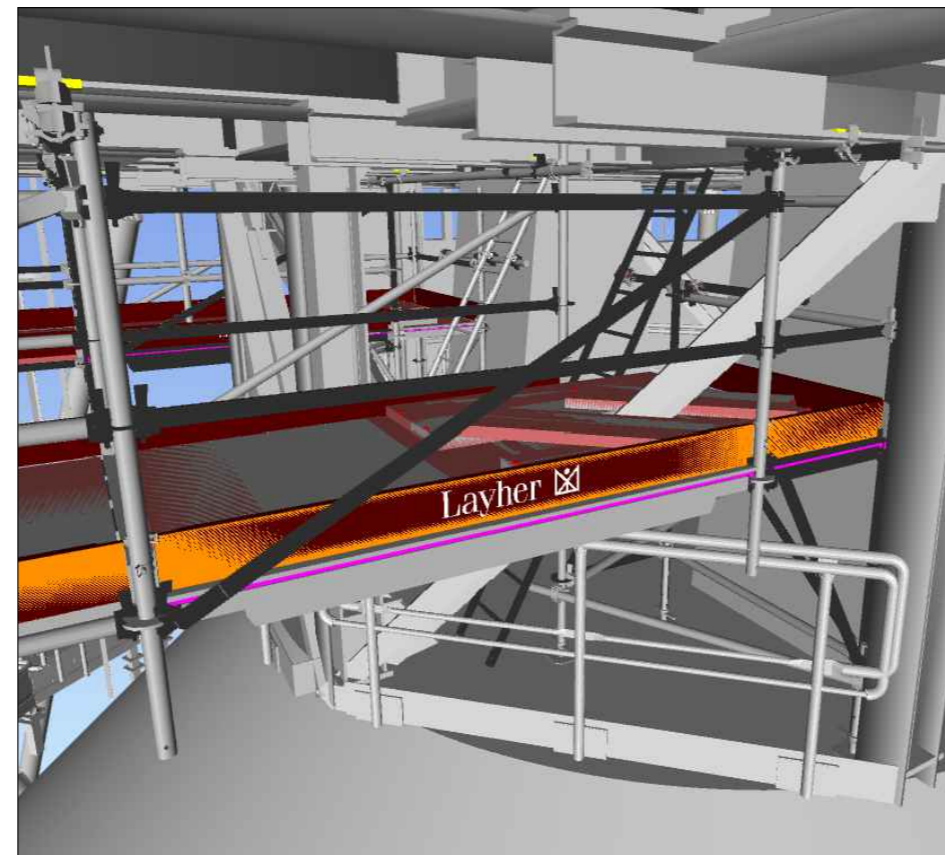
Side view



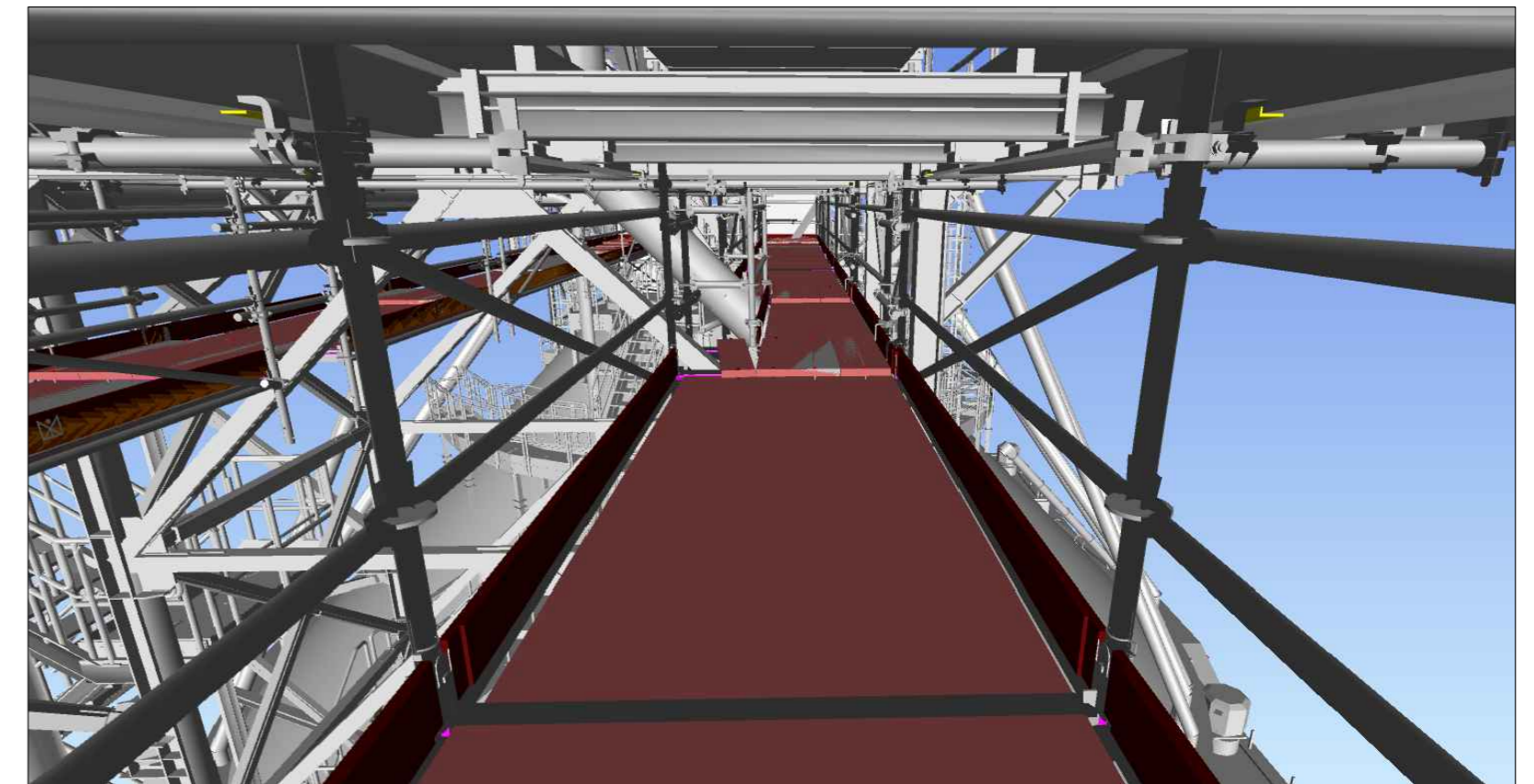
View 1



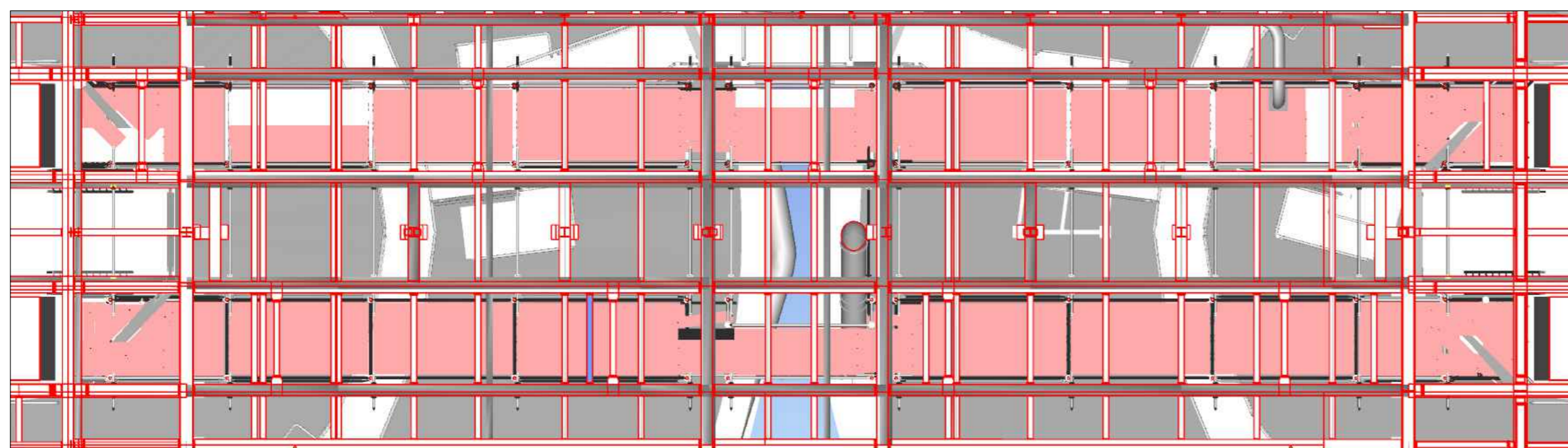
View 2



View 3




Top view



General Information

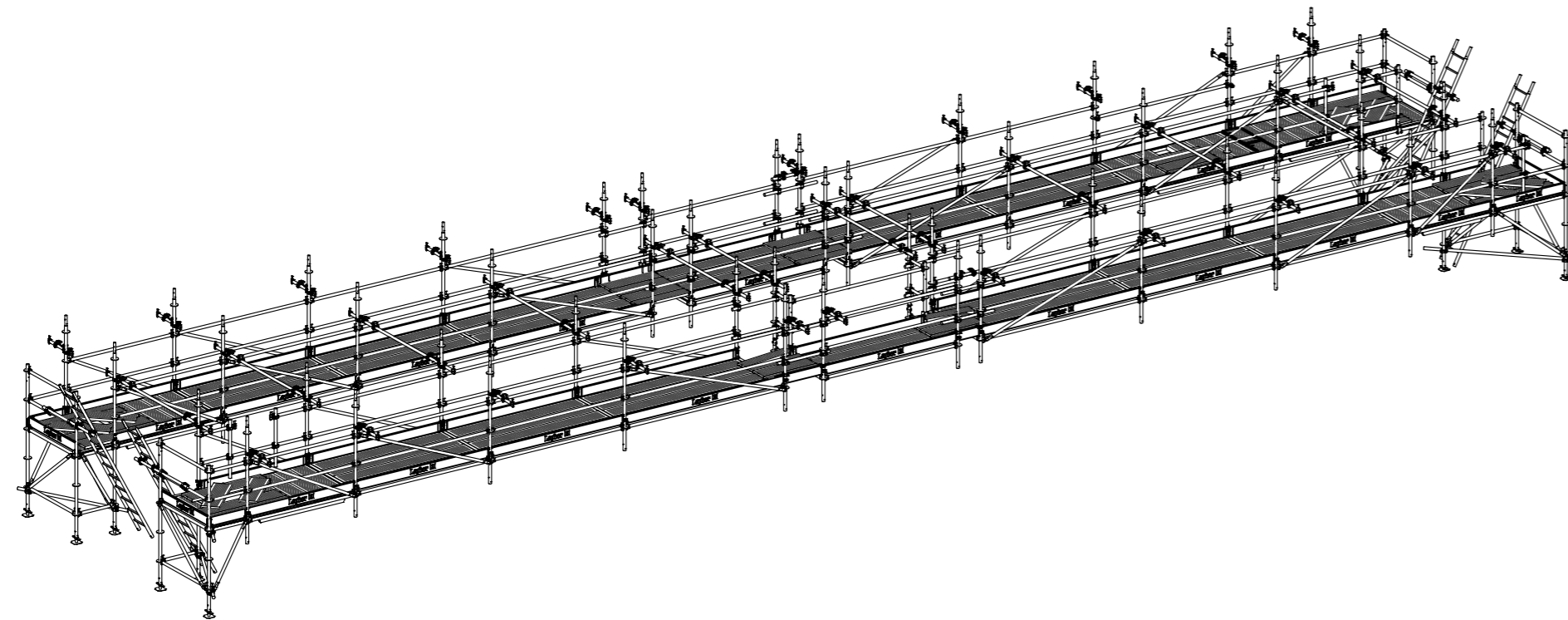
Project stage: draft proposal;
 Location: Jočionių g. 13, LT-02300 Vilnius, Lithuania;
 Wind speed zone: 24 m/s (STR 2.05.04:2003, Annex 1);
 Operational load: 2.0 kN/m² (EN 12811-1);
 Self-weight: provided in the Layher components list;
 Covering: structure is not covered;
 Anchoring: as specified in the drawing - the structure is suspended from steel beams.
 Structural suitability and selected dimensions must be checked and approved by the client's representative.

- It is necessary to check whether the drawing is in accordance with dimensions and local conditions on site. - Small plates must be installed at the scaffold attachment points to eliminate any remaining gap between the hook and the steel beam.					
				No.	Alteration
				Date	Name
Drawn	Date	Name	Layher  Mehr möglich. Das Gerüst System. Layher Baltic UAB LT-022230 Vilnius Phone +37065500979 / Fax +37041595292 Salininku g. 82 Lietuva-Lithuania E-Mail info@layher-baltic.eu		
Checked					
Scale	Vilnius cogeneration power plant				Drawing No.:
A2	Horizontal transporter - project 3 (part 1)				AR 250331.(3.1.1)

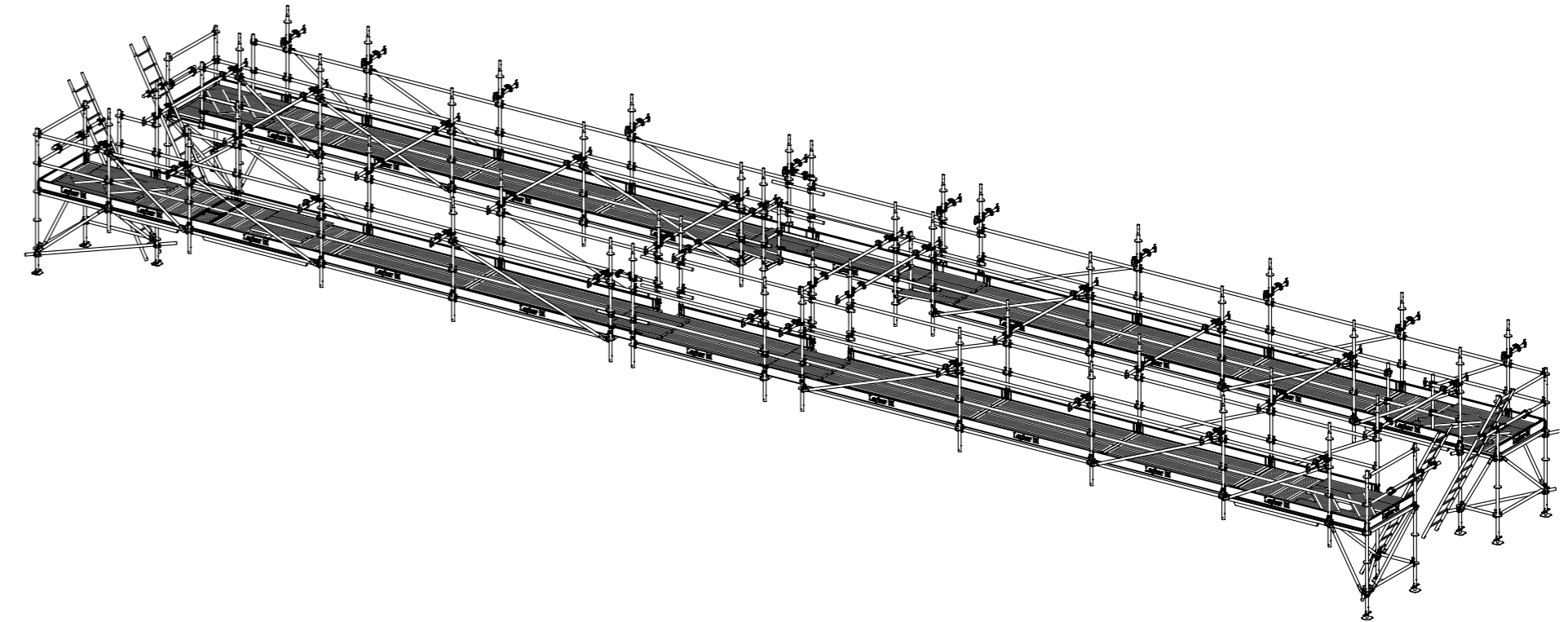
DRAFT PROPOSAL

Horizontal transporter - project 3 (part 1)

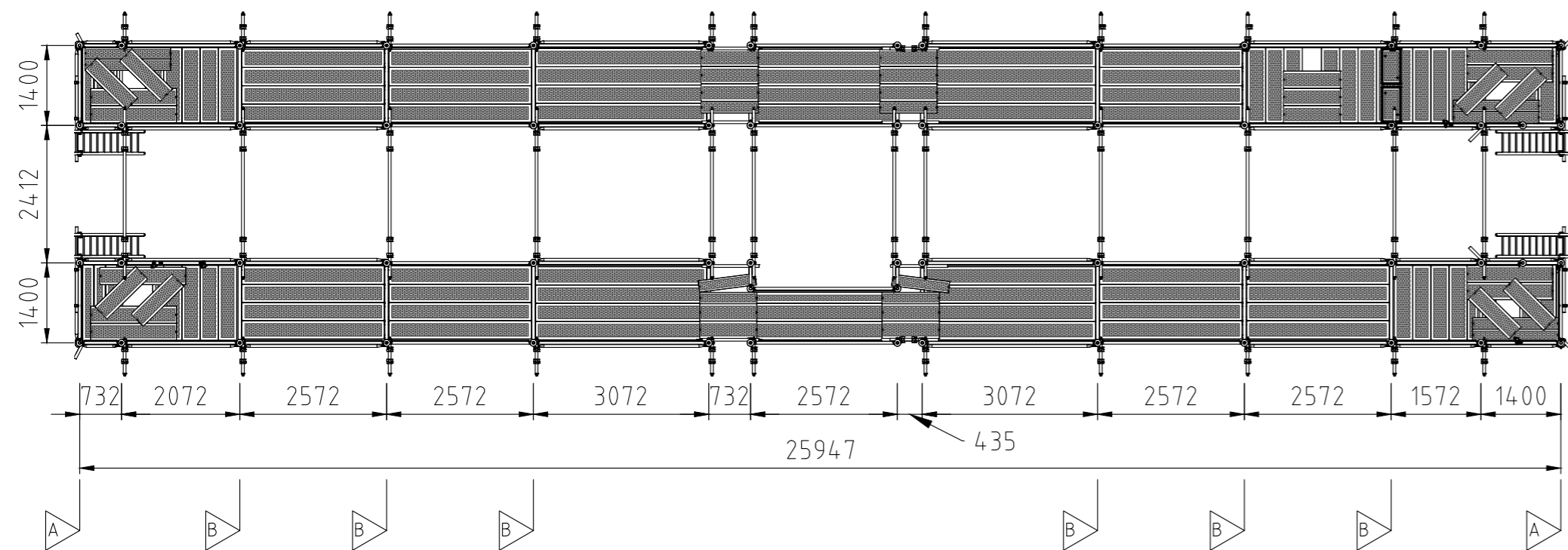
Isometric view



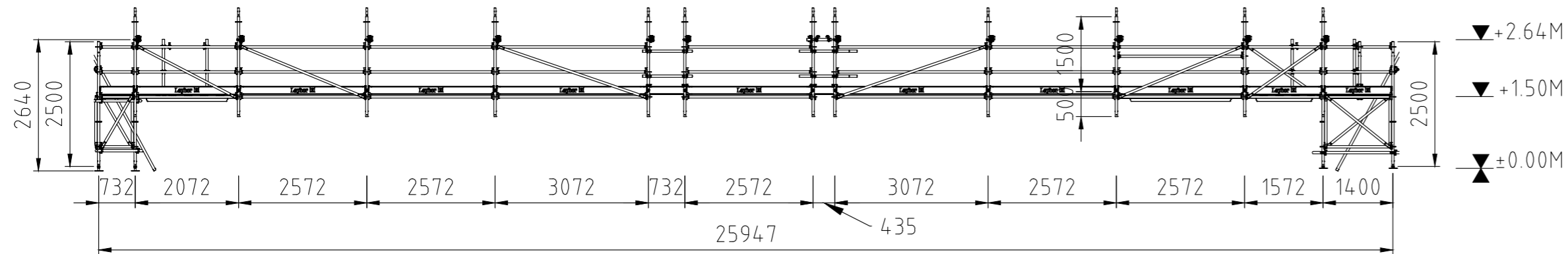
Isometric view



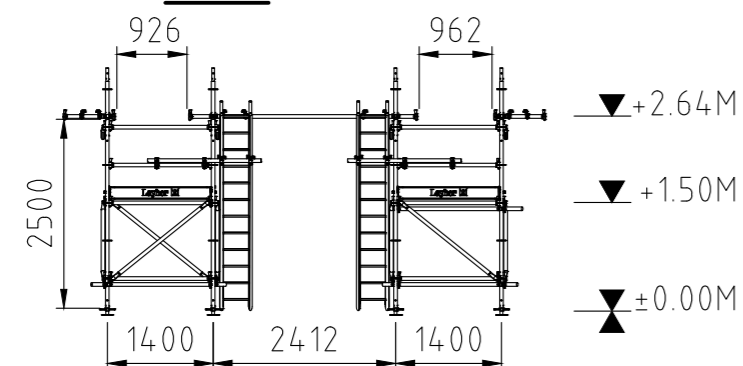
Top view Scale 1:100



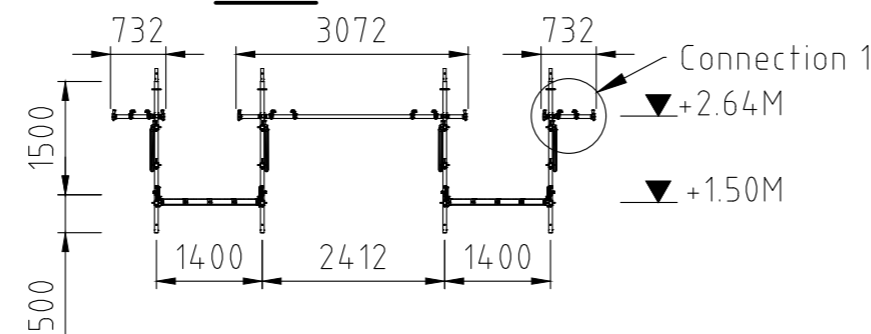
Side view Scale 1:100



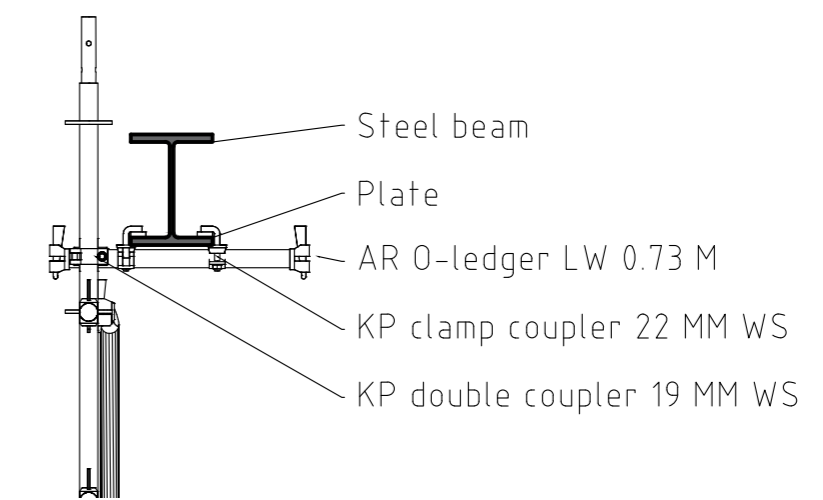
Axis A Scale 1:100



Axis B Scale 1:100



Connection 1 Scale 1:20



General Information

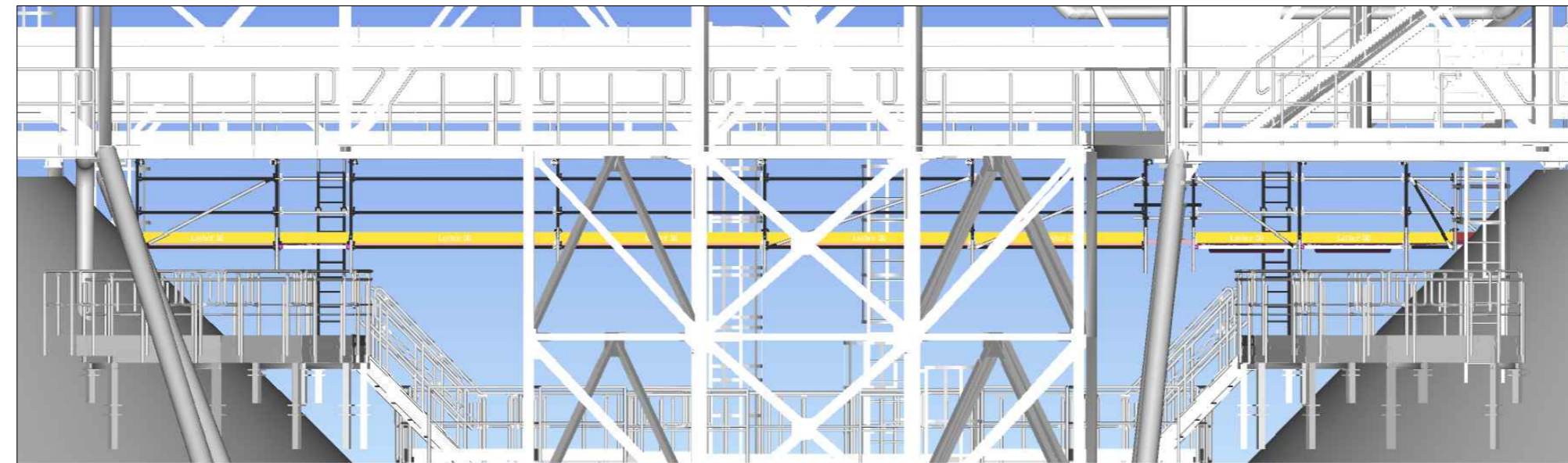
- Project stage: draft proposal;
- Location: Jočioniu g. 13, LT-02300 Vilnius, Lithuania;
- Wind speed zone: 24 m/s (STR 2.05.04:2003, Annex 1);
- Operational load: 2.0 kN/m² (EN 12811-1);
- Self-weight: provided in the Layher components list;
- Covering: structure is not covered;
- Anchoring: as specified in the drawing - the structure is suspended from steel beams.
- Structural suitability and selected dimensions must be checked and approved by the client's representative.

- It is necessary to check whether the drawing is in accordance with dimensions and local conditions on site. - Small plates must be installed at the scaffold attachment points to eliminate any remaining gap between the hook and the steel beam.					
Drawn	Date	Name	Layher. ☒ Mehr möglich. Das Gerüst System. Layher Baltic UAB LT-022230 Vilnius Salininku g. 82 Lietuva-Lithuania E-Mail info@layher-baltic.eu Phone +37065500919 / Fax +37041595292		
Checked					
Scale	Vilnius cogeneration power plant Horizontal transporter - project 3 (part 1)		Drawing No.: AR 250331.(3.1.2)		

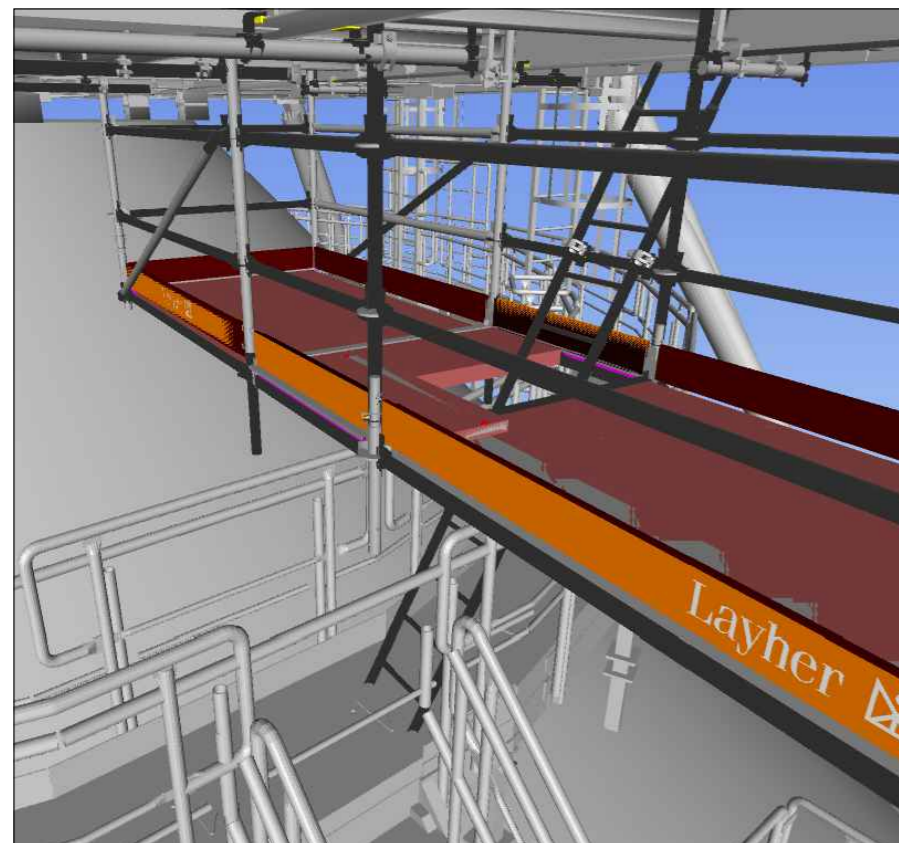
DRAFT PROPOSAL

Horizontal transporter - project 3 (part 2)

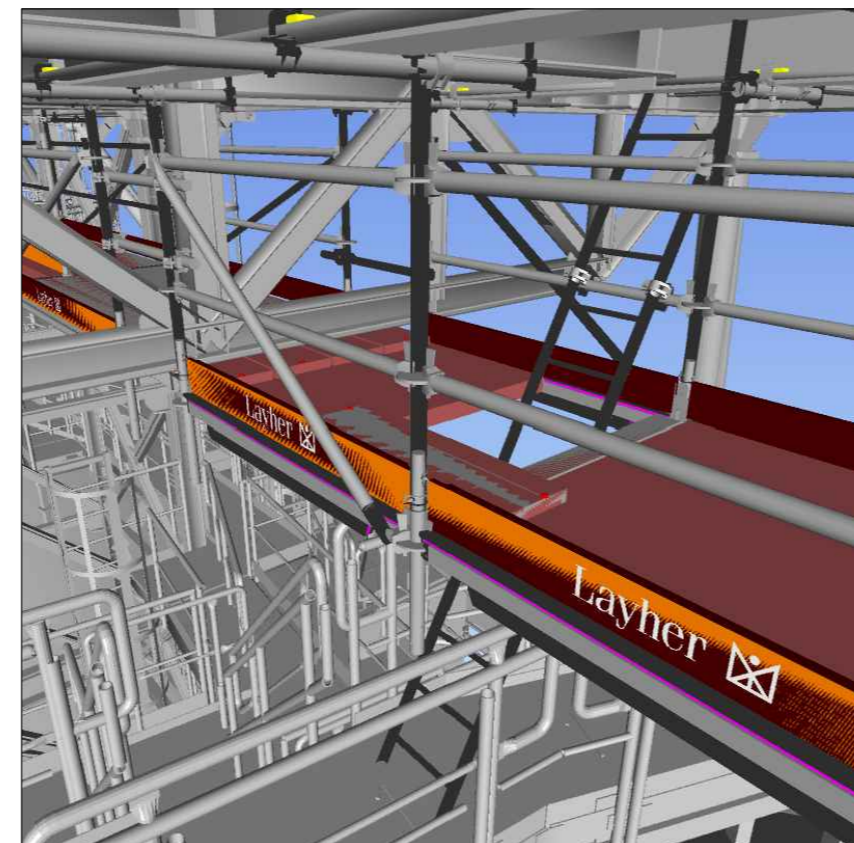
Side view



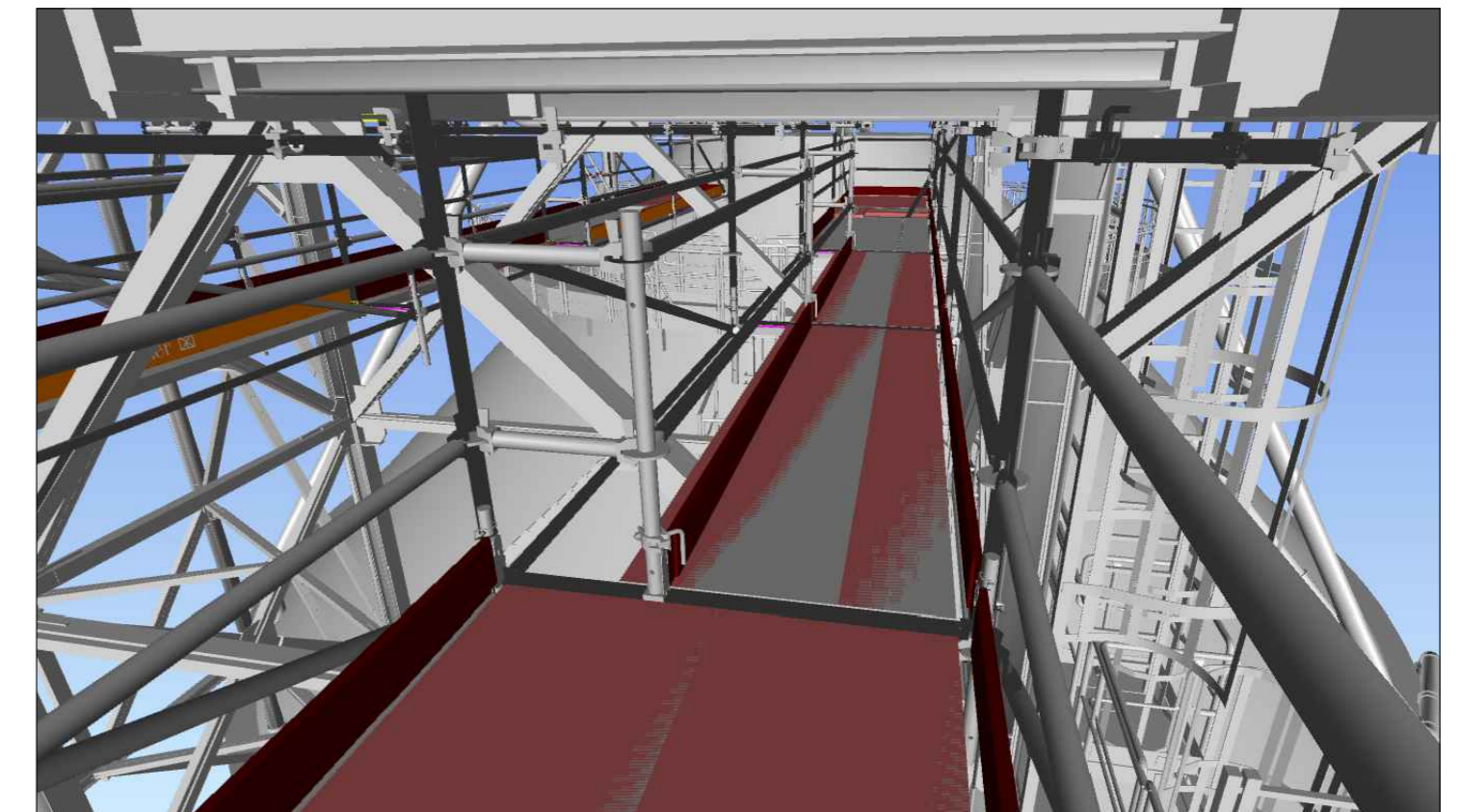
View 1



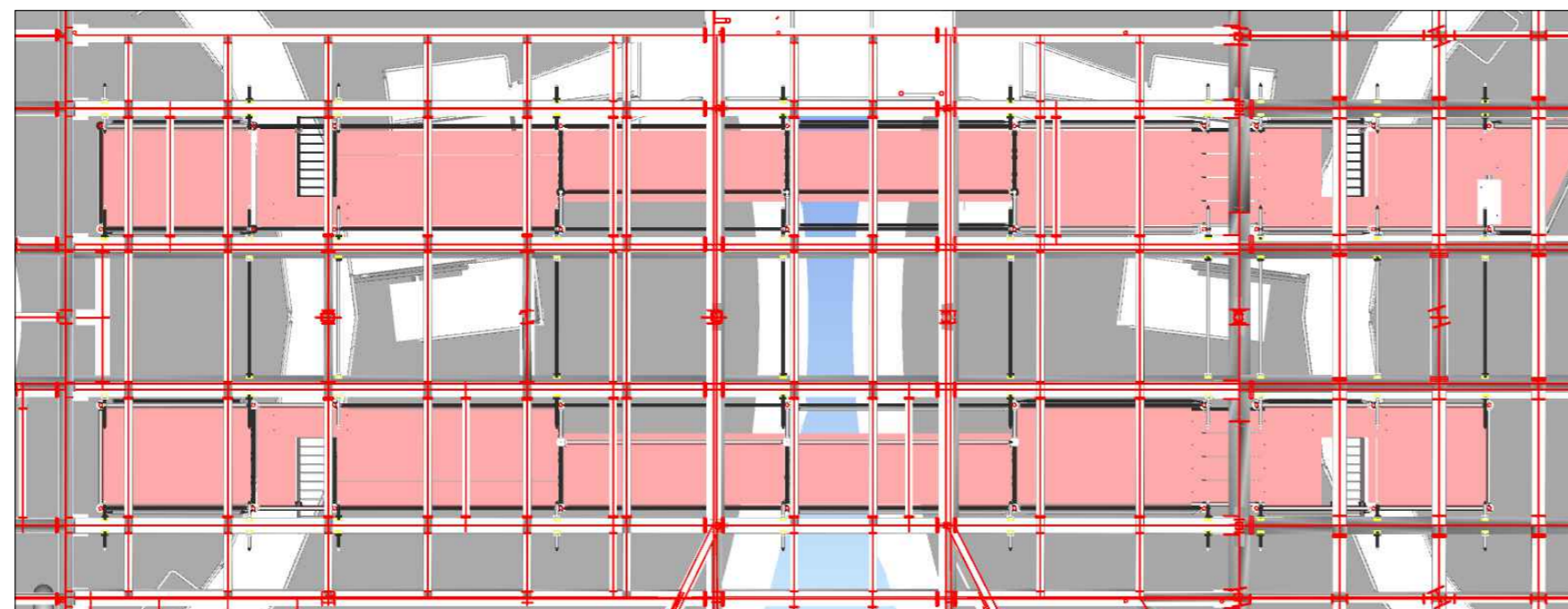
View 2



View 3




Top view



General Information

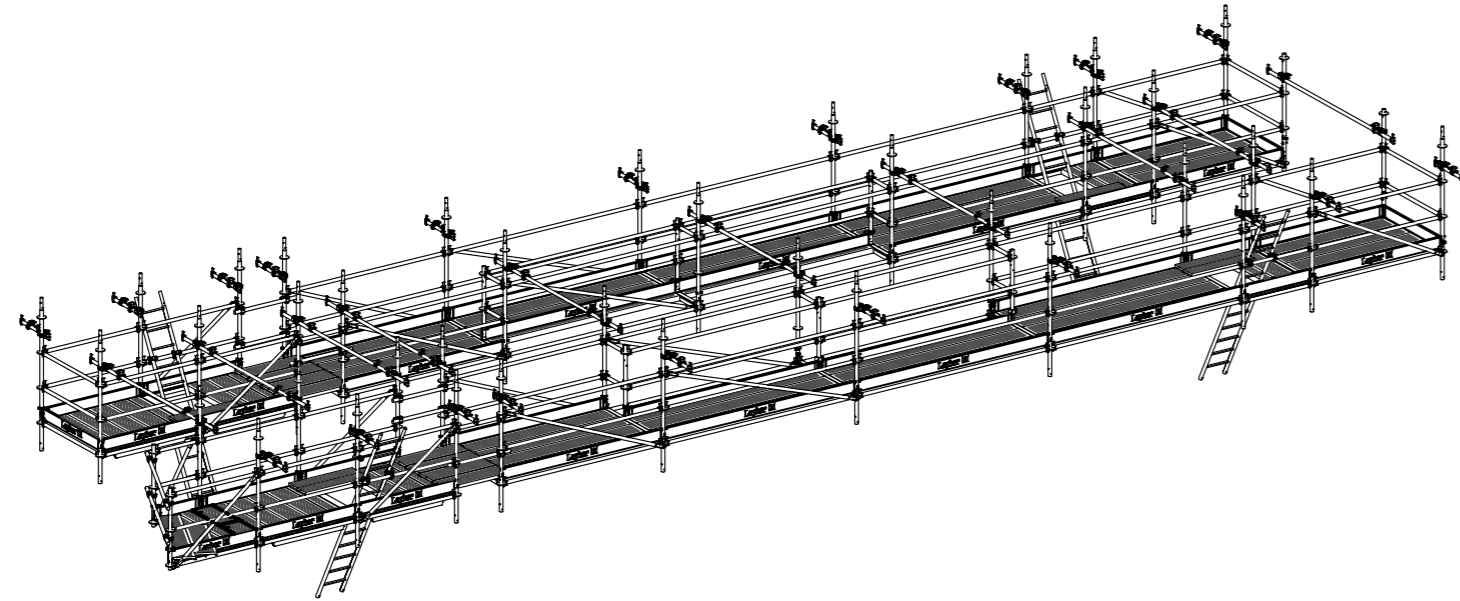
Project stage: draft proposal;
 Location: Jočioniu g. 13, LT-02300 Vilnius, Lithuania;
 Wind speed zone: 24 m/s (STR 2.05.04:2003, Annex 1);
 Operational load: 2.0 kN/m² (EN 12811-1);
 Self-weight: provided in the Layher components list;
 Covering: structure is not covered;
 Anchoring: as specified in the drawing - the structure is suspended from steel beams.
 Structural suitability and selected dimensions must be checked and approved by the client's representative.

- It is necessary to check whether the drawing is in accordance with dimensions and local conditions on site. - Small plates must be installed at the scaffold attachment points to eliminate any remaining gap between the hook and the steel beam.					
				No.	Alteration
				Date	Name
Drawn	Date	Name	Layher.  Mehr möglich. Das Gerüst System. Layher Baltic UAB LT-022230 Vilnius Phone +37065500979 / Fax +37041595292 Salininku g. 82 Lietuva-Lithuania E-Mail info@layher-baltic.eu		
Checked					
Scale	Vilnius cogeneration power plant		Drawing No.:		
A2	Horizontal transporter - project 3 (part 2)		AR 250331.(3.2.1)		

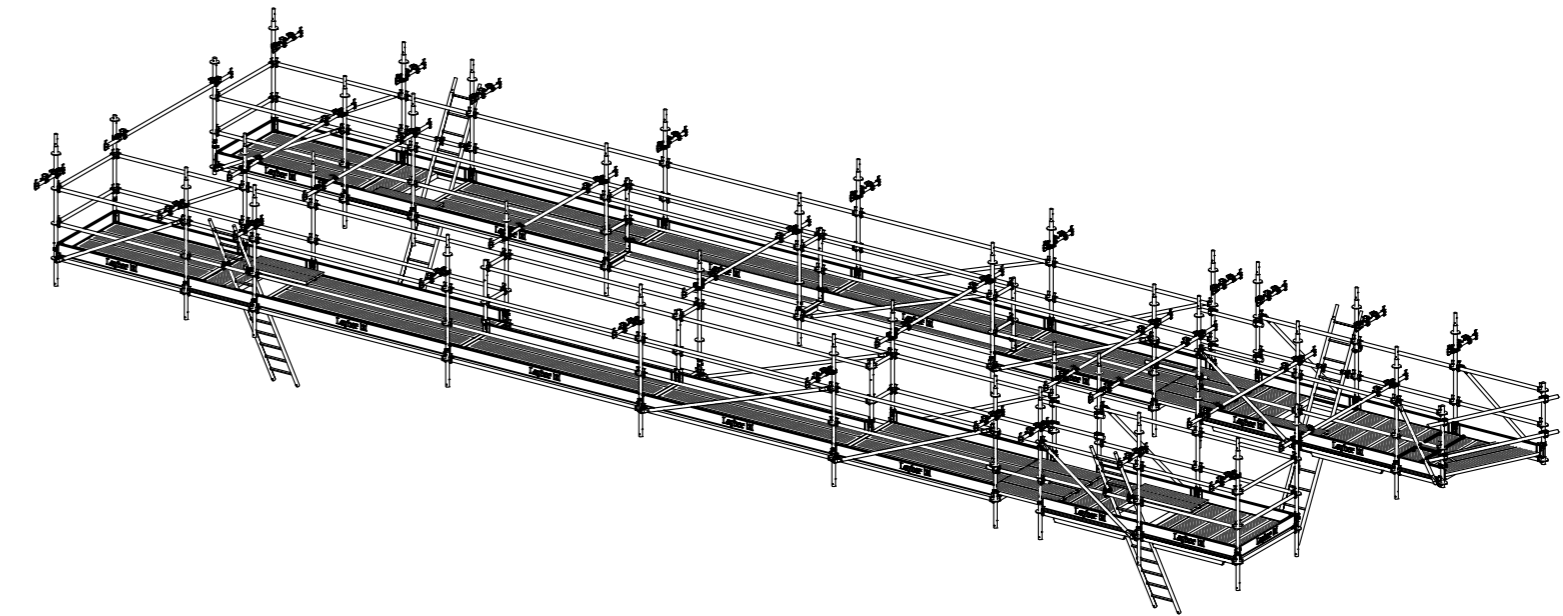
DRAFT PROPOSAL

Horizontal transporter - project 3 (part 2)

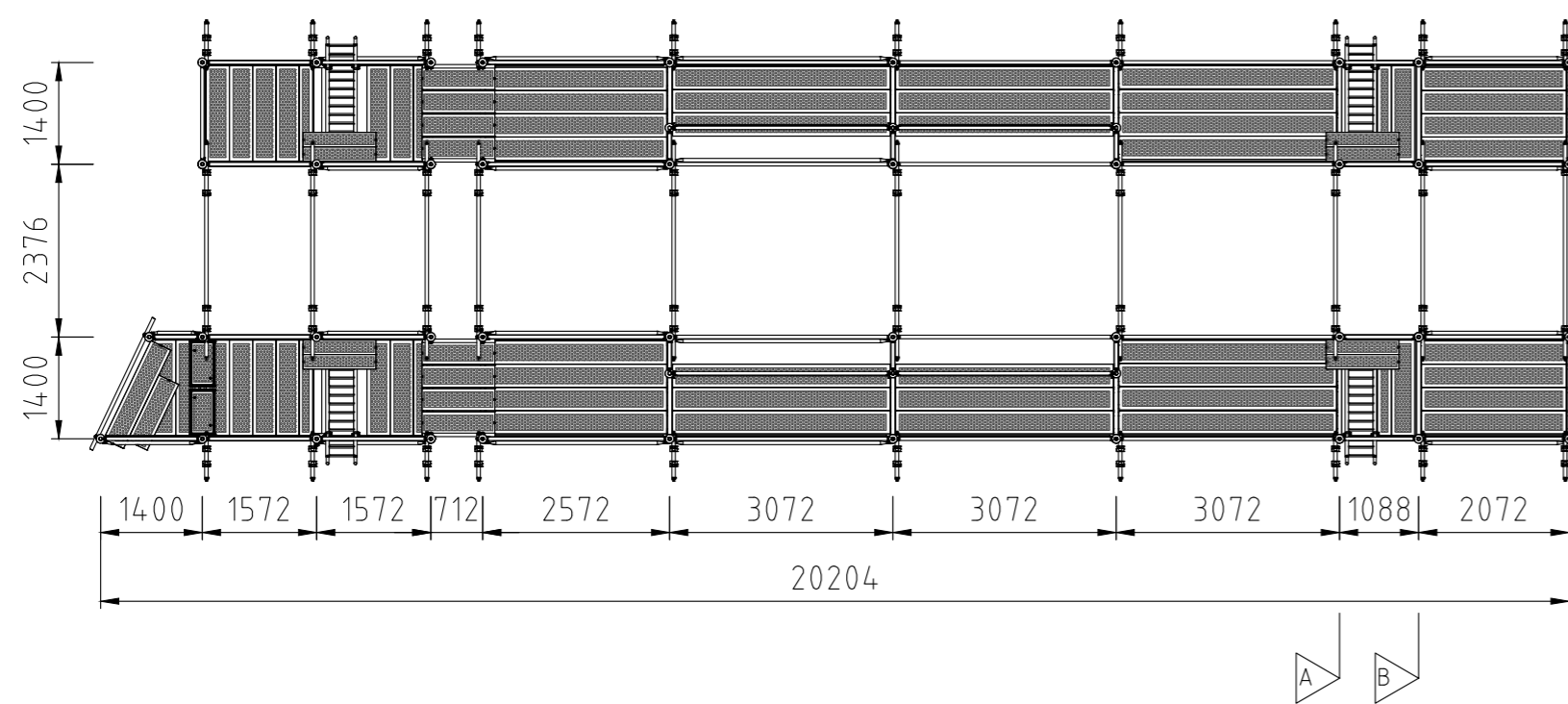
Isometric view



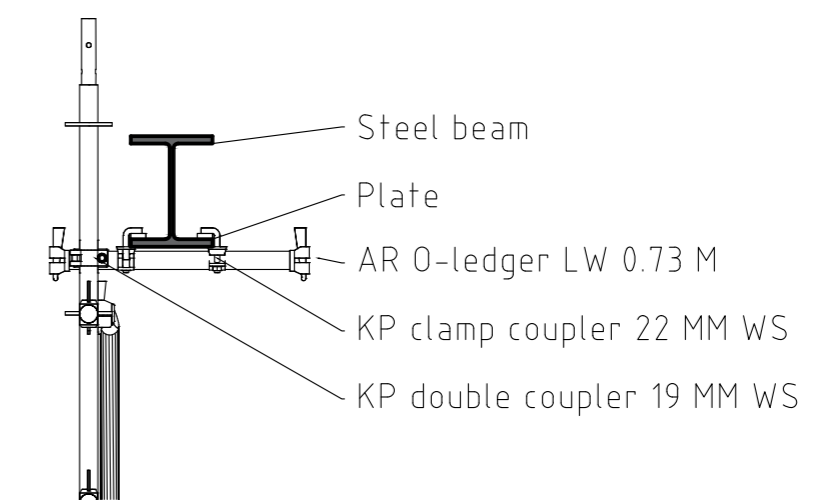
Isometric view



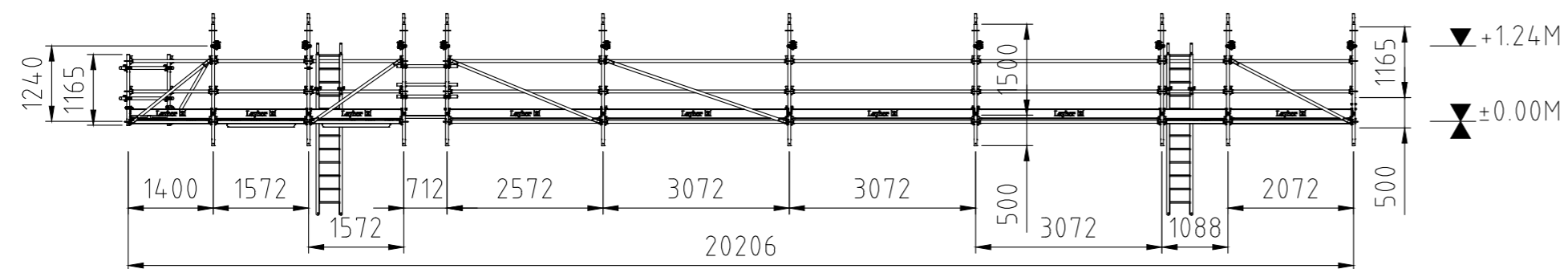
Top view Scale 1:100



Connection 1 Scale 1:20



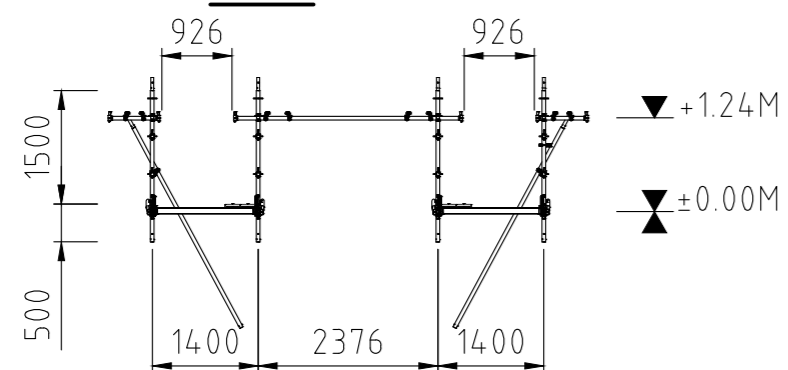
Side view Scale 1:100



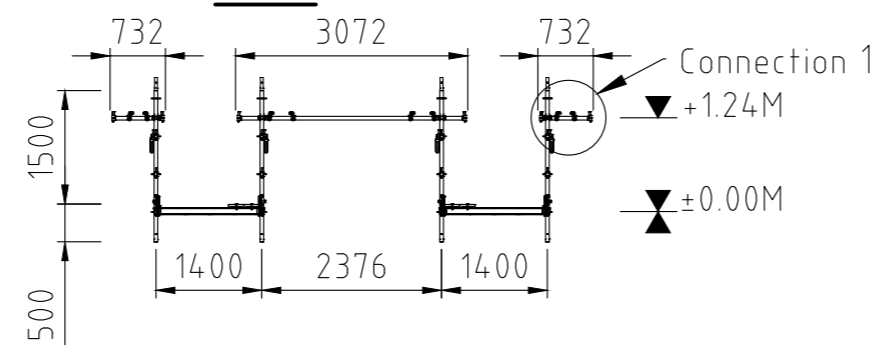
General Information

Project stage: draft proposal;
 Location: Jočioniu g. 13, LT-02300 Vilnius, Lithuania;
 Wind speed zone: 24 m/s (STR 2.05.04:2003, Annex 1);
 Operational load: 2.0 kN/m² (EN 12811-1);
 Self-weight: provided in the Layher components list;
 Covering: structure is not covered;
 Anchoring: as specified in the drawing - the structure is suspended from steel beams.
 Structural suitability and selected dimensions must be checked and approved by the client's representative.

Axis A Scale 1:100



Axis B Scale 1:100



- It is necessary to check whether the drawing is in accordance with dimensions and local conditions on site. - Small plates must be installed at the scaffold attachment points to eliminate any remaining gap between the hook and the steel beam.					
				No.	Alteration
				Date	Name
Drawn			Layher. ✘ Mehr möglich. Das Gerüst System. Layher Baltic UAB LT-022230 Vilnius Phone +37065500979 / Fax +37041595292 Salininku g. 82 Lietuva-Lithuania E-Mail info@layher-baltic.eu		
Checked					
Scale					
A2	Vilnius cogeneration power plant Horizontal transporter - project 3 (part 2)			Drawing No.: AR 250331.(3.2.2)	

